

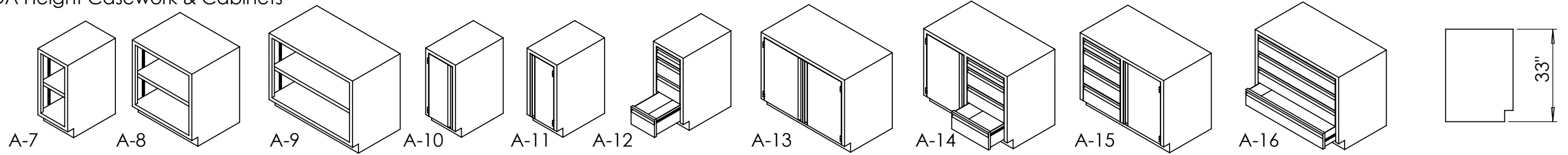
4

3

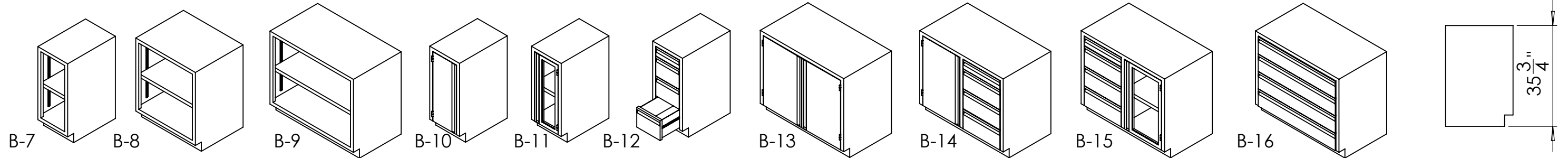
2

1

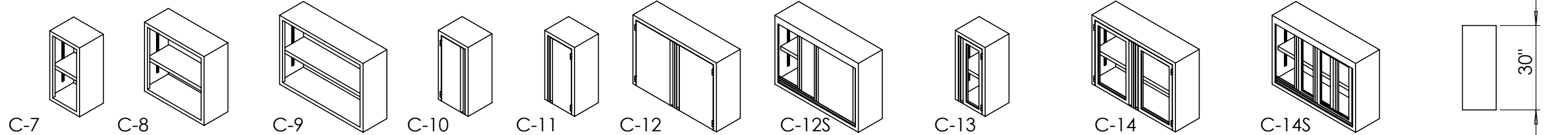
ADA Height Casework & Cabinets



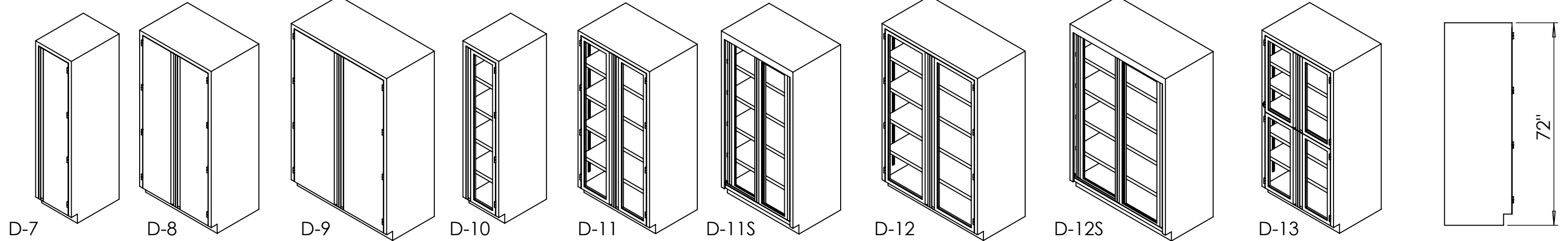
Standing Height Casework & Cabinets - Open - Solid Door - Glass



Wall Hung Casework & Cabinets - Open - Solid Door - Glass



Full Height Casework & Cabinets



PROPRIETARY AND CONFIDENTIAL

THE INFORMATION CONTAINED IN THIS DRAWING IS THE SOLE PROPERTY OF BERLIN FOOD & LAB EQUIPMENT CO. ANY REPRODUCTION IN PART OR AS A WHOLE WITHOUT THE WRITTEN PERMISSION OF BERLIN FOOD & LAB EQUIPMENT CO. IS PROHIBITED.

		UNLESS OTHERWISE SPECIFIED:		NAME	DATE	BERLIN FOOD & LAB EQUIPMENT CO.	
		DIMENSIONS ARE IN INCHES		DRAWN		TITLE:	
		TOLERANCES:		CHECKED		Pro-Line Chef's Series	
		FRACTIONAL ±		ENG APPR.		SIZE DWG. NO. REV	
		ANGULAR: MACH ± BEND ±		MFG APPR.		B A-7 - D-13	
		TWO PLACE DECIMAL ±		Q.A.		SCALE: 1:36 WEIGHT: SHEET 1 OF 15	
		THREE PLACE DECIMAL ±		COMMENTS:			
		INTERPRET GEOMETRIC TOLERANCING PER:					
		MATERIAL					
NEXT ASSY	USED ON	FINISH					
APPLICATION		DO NOT SCALE DRAWING					

4

3

2

1

4

3

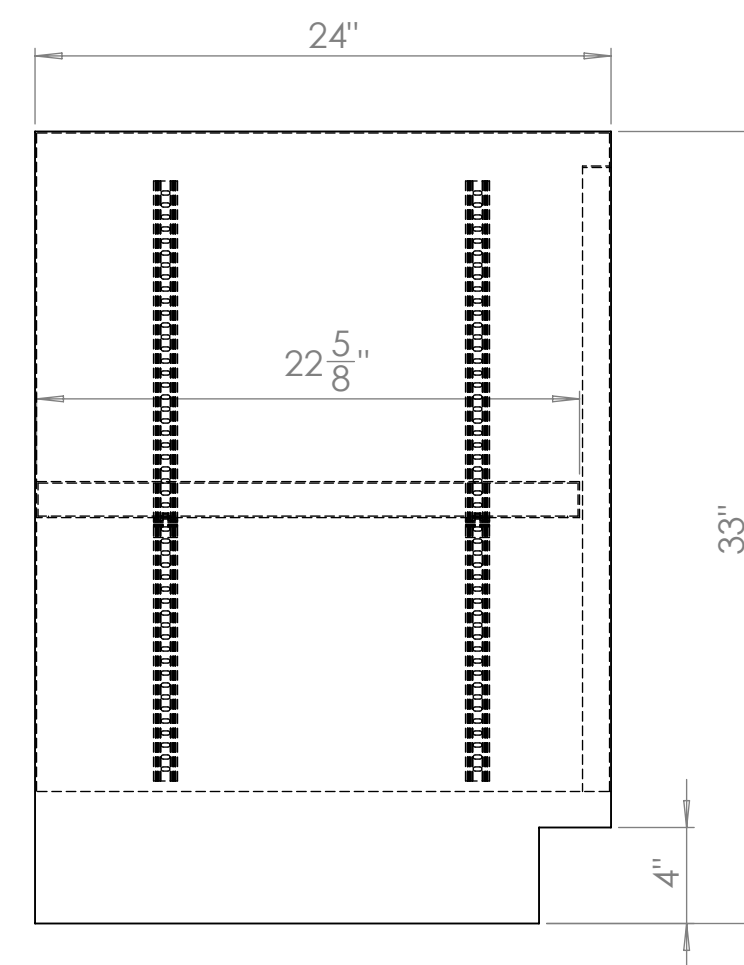
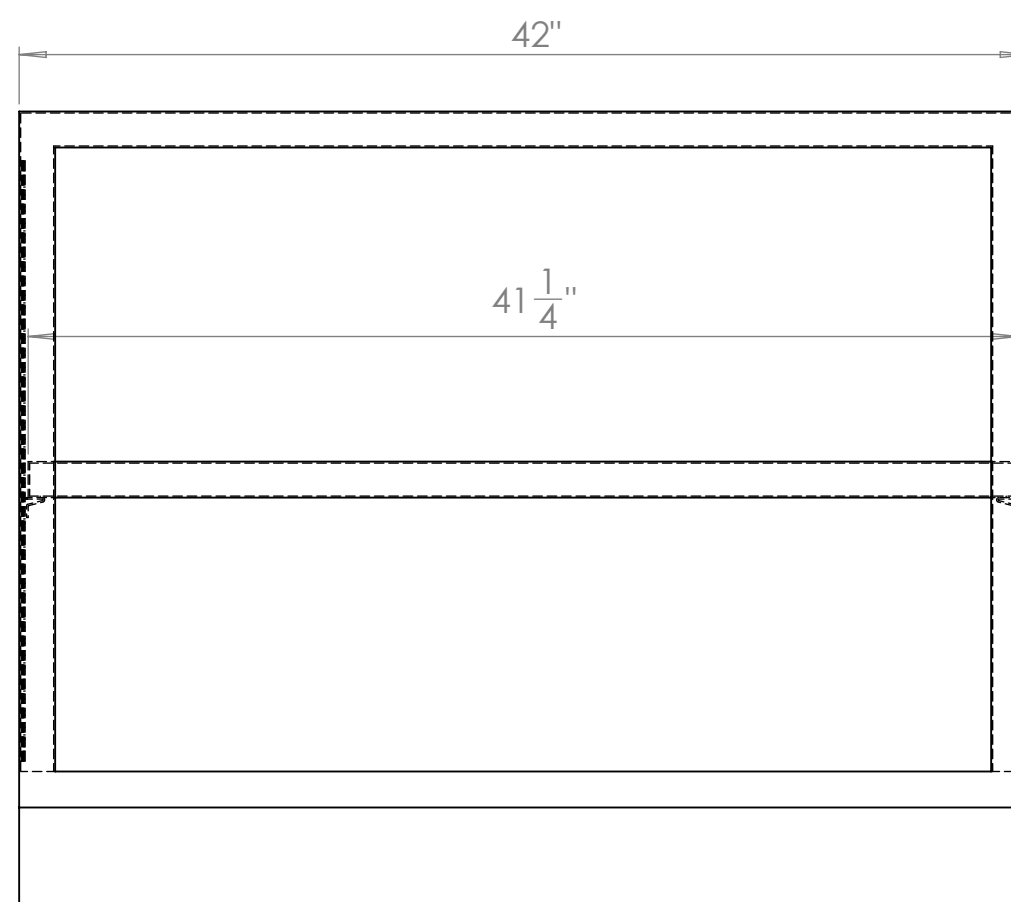
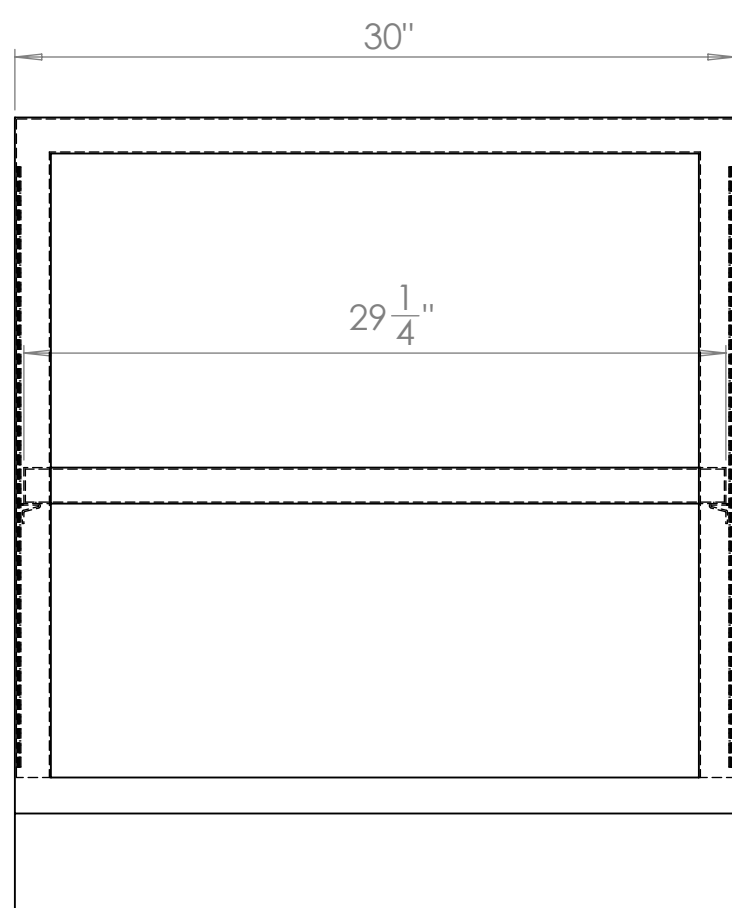
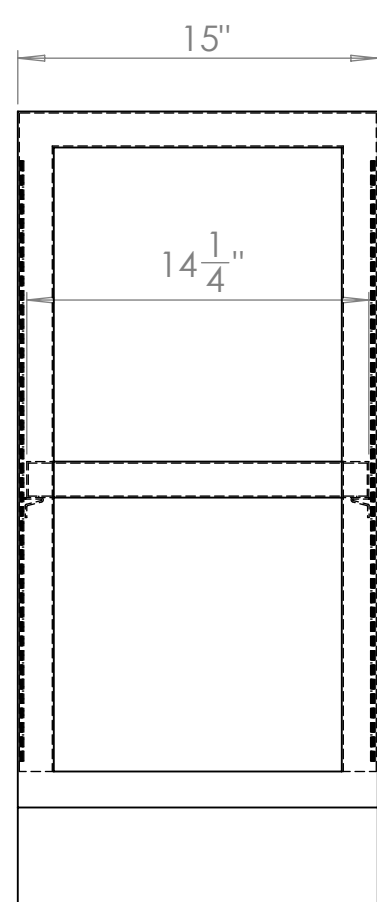
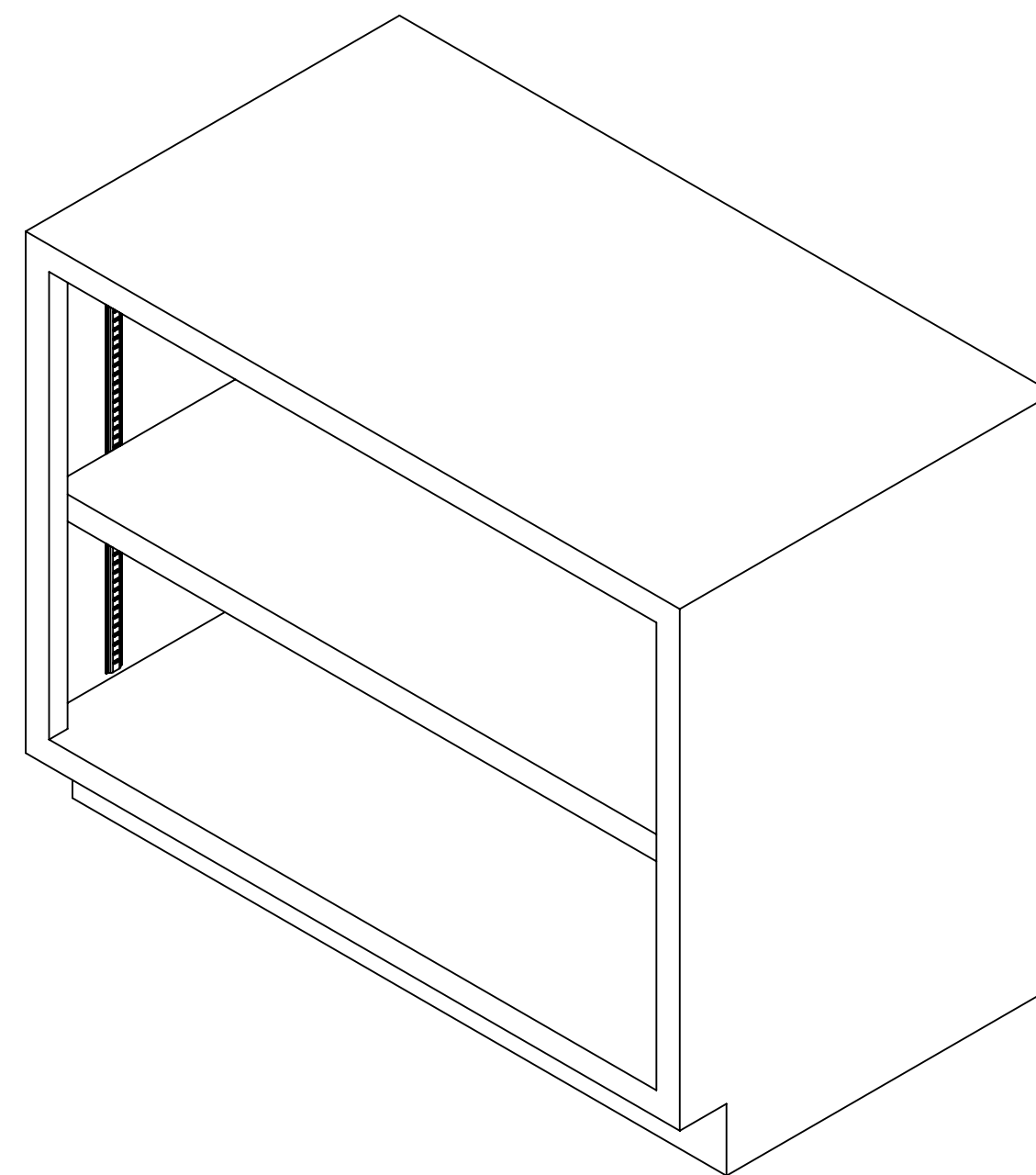
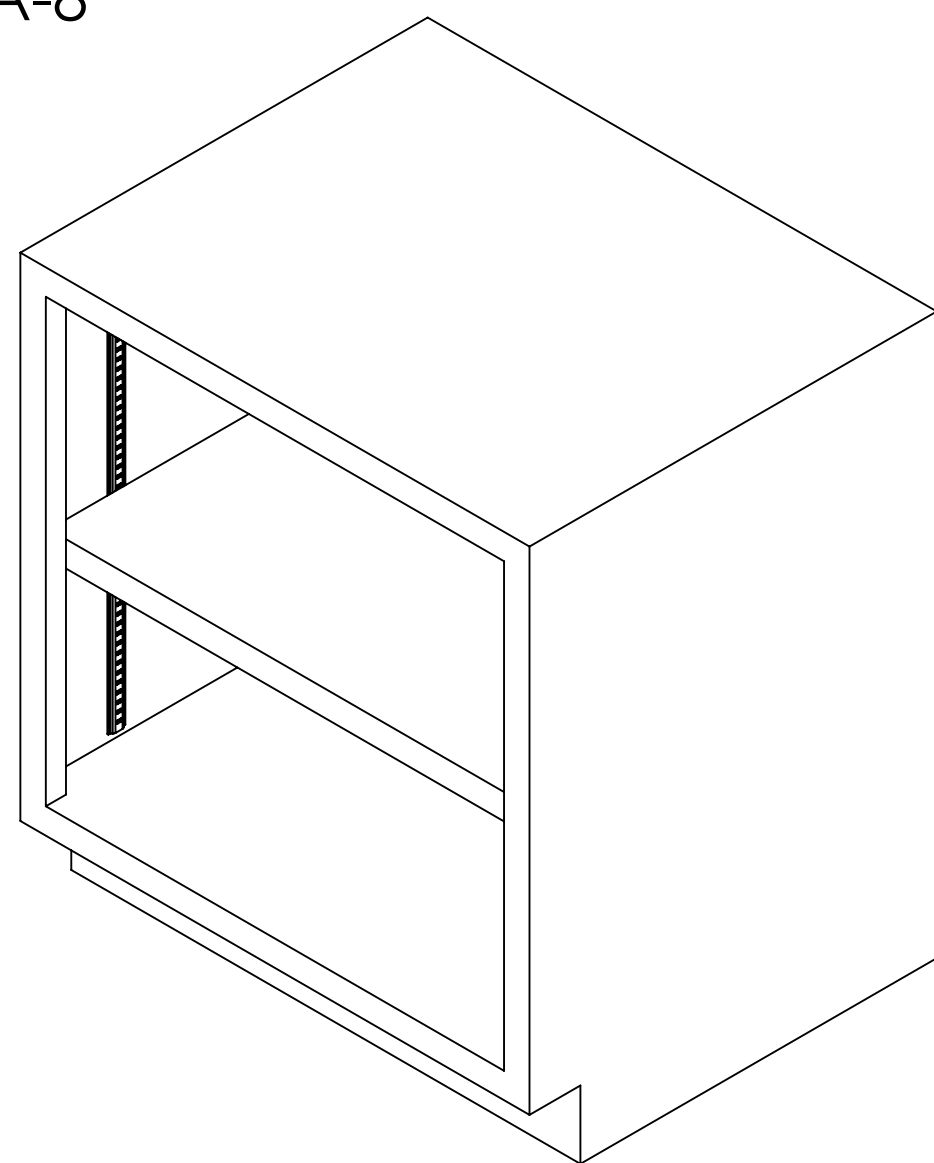
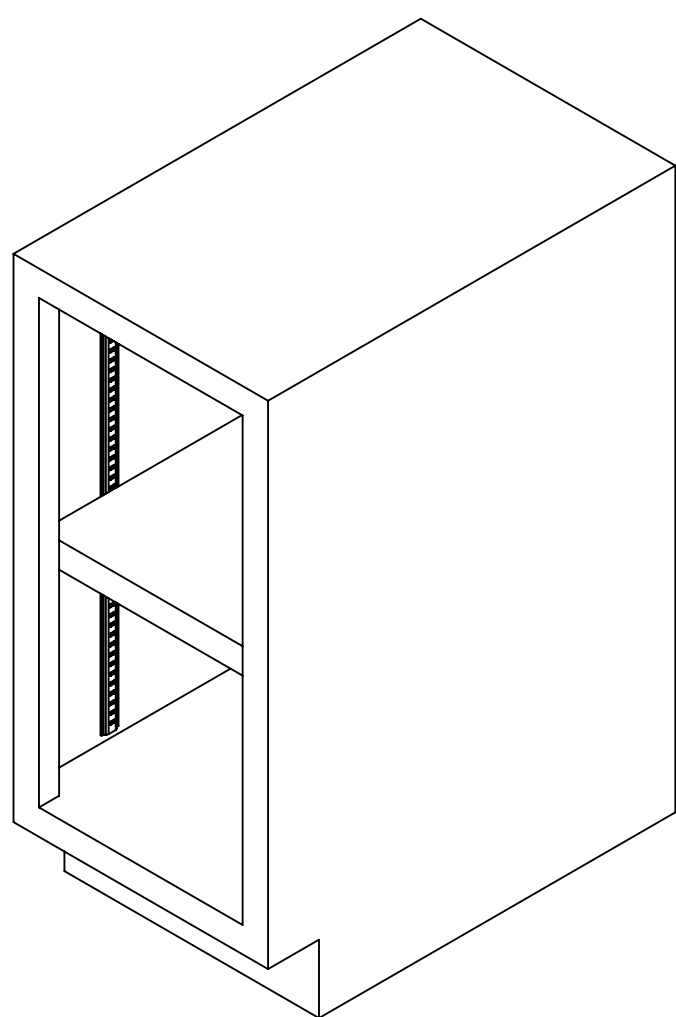
2

1

A-7

A-8

A-9



A-7

A-8

A-9



PROPRIETARY AND CONFIDENTIAL
 THE INFORMATION CONTAINED IN THIS DRAWING IS THE SOLE PROPERTY OF BERLIN USA: FOOD & LAB EQUIPMENT. ANY REPRODUCTION IN PART OR AS A WHOLE WITHOUT THE WRITTEN PERMISSION OF BERLIN USA: FOOD & LAB EQUIPMENT IS PROHIBITED.

UNLESS OTHERWISE SPECIFIED:		DRAWN	NAME	DATE	BERLIN USA: FOOD & LAB EQUIPMENT
DIMENSIONS ARE IN INCHES		CHECKED			TITLE:
TOLERANCES:		ENG APPR.			Stainless Steel ADA Height Casework
FRACTIONAL ±		MFG APPR.			SIZE DWG. NO. REV
ANGULAR: MACH ± BEND ±		Q.A.			CA-7 A-8 A-9
TWO PLACE DECIMAL ±		COMMENTS:			SCALE: 1:8 WEIGHT: SHEET 2 OF 15
THREE PLACE DECIMAL ±					
INTERPRET GEOMETRIC TOLERANCING PER:					
MATERIAL					
FINISH					
NEXT ASSY	USED ON				
APPLICATION					
DO NOT SCALE DRAWING					

4

3

2

1

D

C

B

A

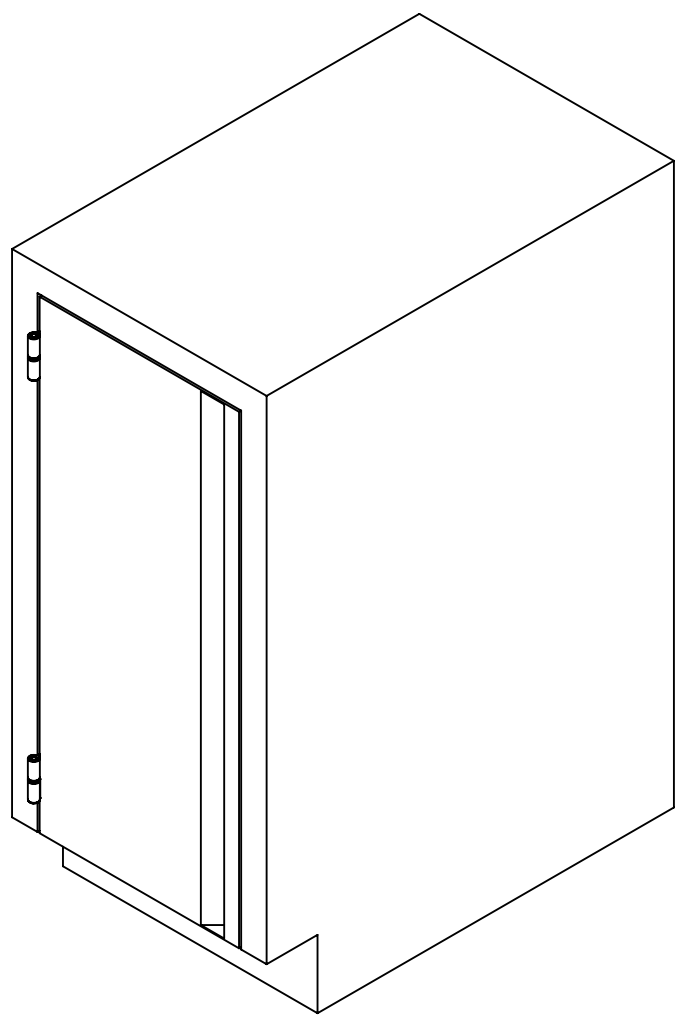
4

3

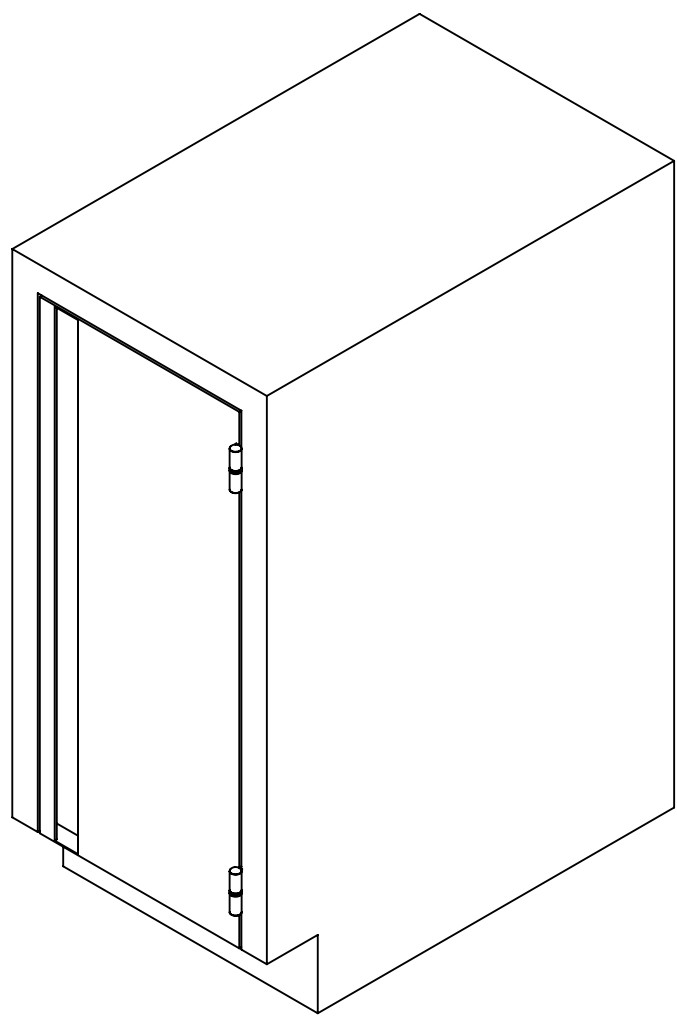
2

1

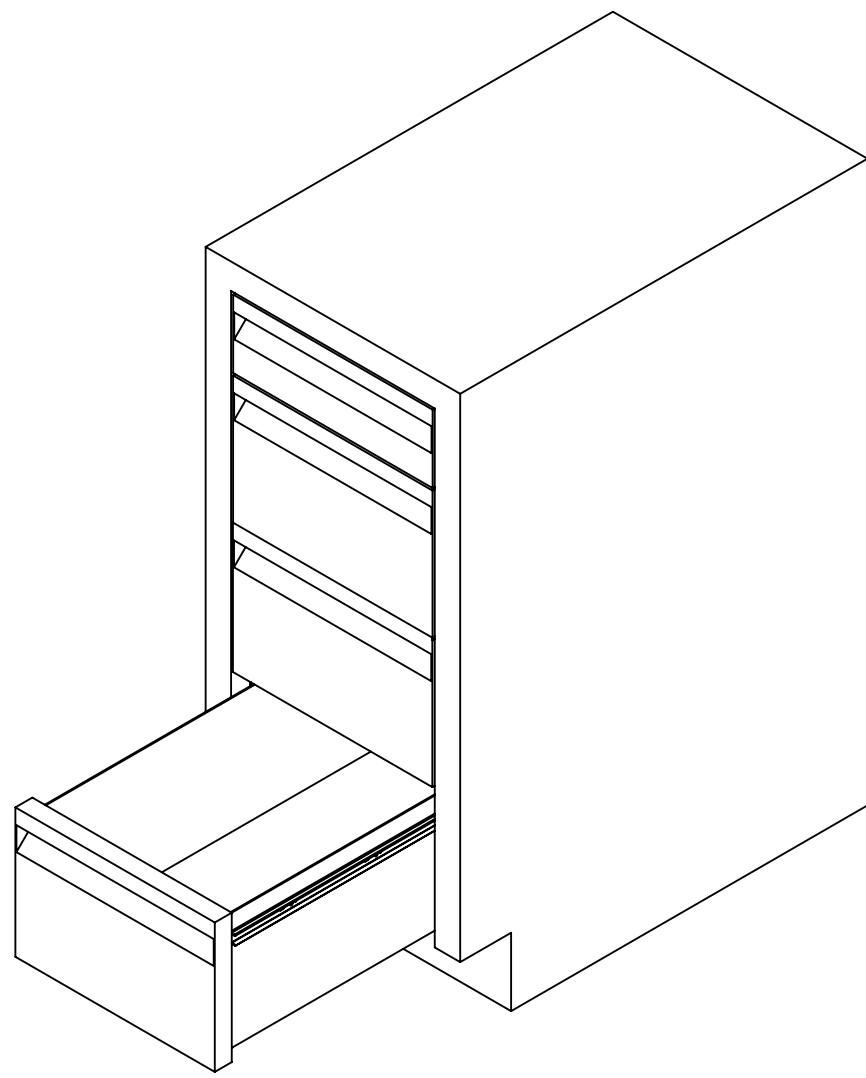
A-10



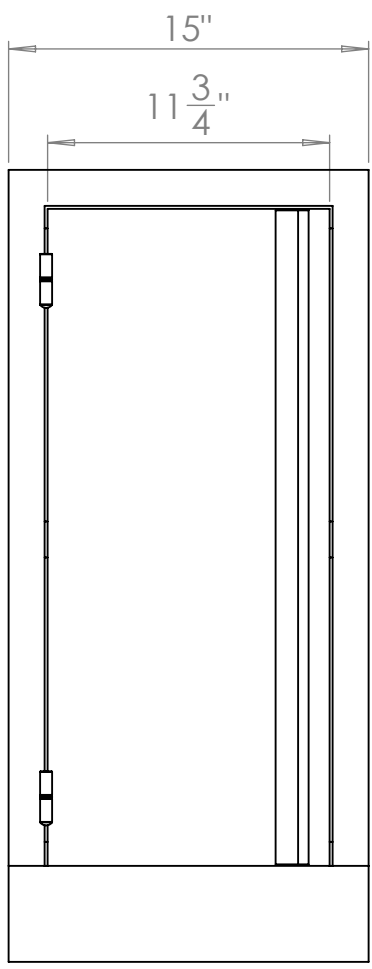
A-11



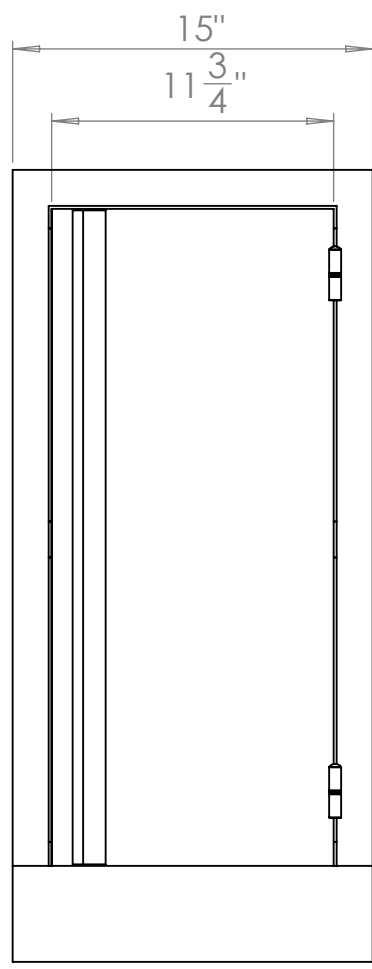
A-12



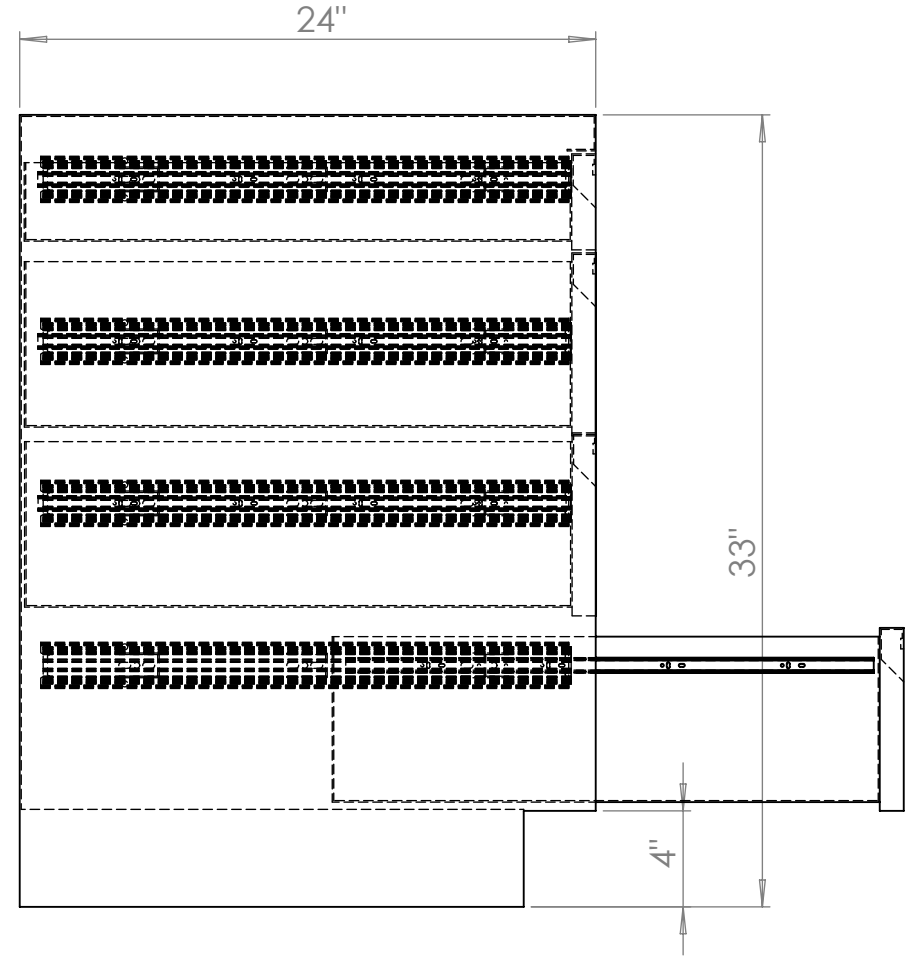
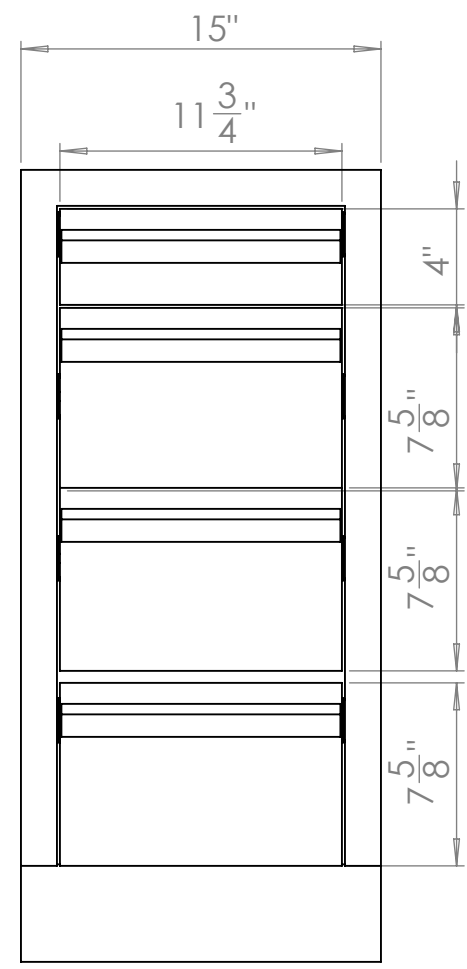
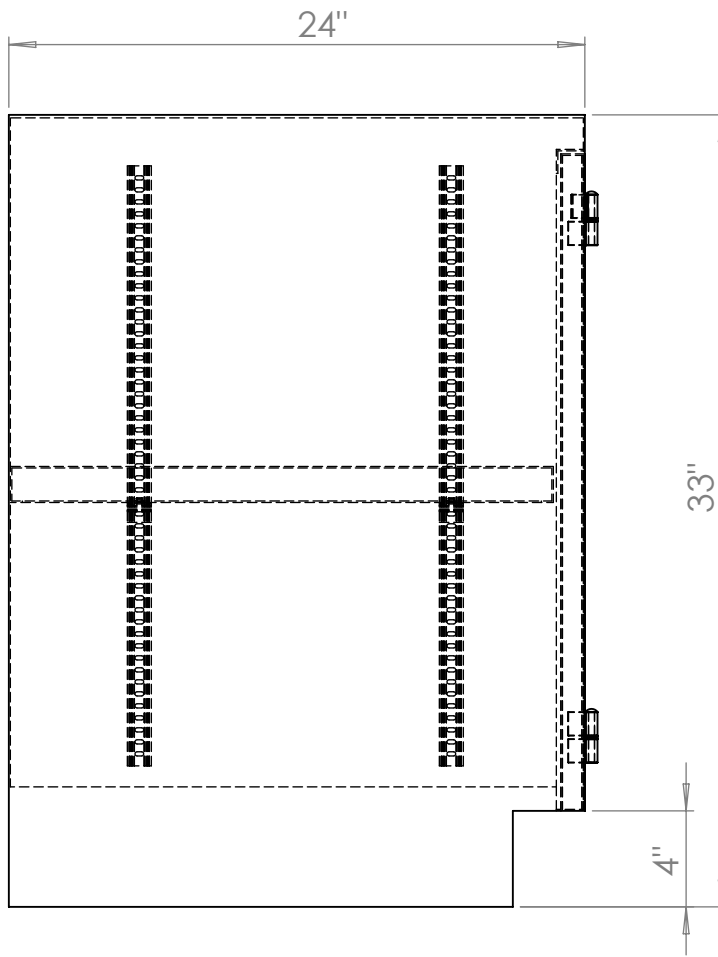
A-10



A-11



A-12



PROPRIETARY AND CONFIDENTIAL
 THE INFORMATION CONTAINED IN THIS DRAWING IS THE SOLE PROPERTY OF BERLIN USA: FOOD & LAB EQUIPMENT. ANY REPRODUCTION IN PART OR AS A WHOLE WITHOUT THE WRITTEN PERMISSION OF BERLIN USA: FOOD & LAB EQUIPMENT IS PROHIBITED.

UNLESS OTHERWISE SPECIFIED:		NAME	DATE	BERLIN USA: FOOD & LAB EQUIPMENT
DIMENSIONS ARE IN INCHES		DRAWN		TITLE:
TOLERANCES:		CHECKED		Stainless Steel ADA
FRACTIONAL ±		ENG APPR.		Height Cabinets
ANGULAR: MACH ± BEND ±		MFG APPR.		SIZE DWG. NO. REV
TWO PLACE DECIMAL ±		Q.A.		C A-10 A-11 A-12
THREE PLACE DECIMAL ±		COMMENTS:		SCALE: 1:12 WEIGHT: SHEET 3 OF 15
INTERPRET GEOMETRIC TOLERANCING PER:				
MATERIAL				
FINISH				
APPLICATION	DO NOT SCALE DRAWING			

4

3

2

1

D

D

C

C

B

B

A

A

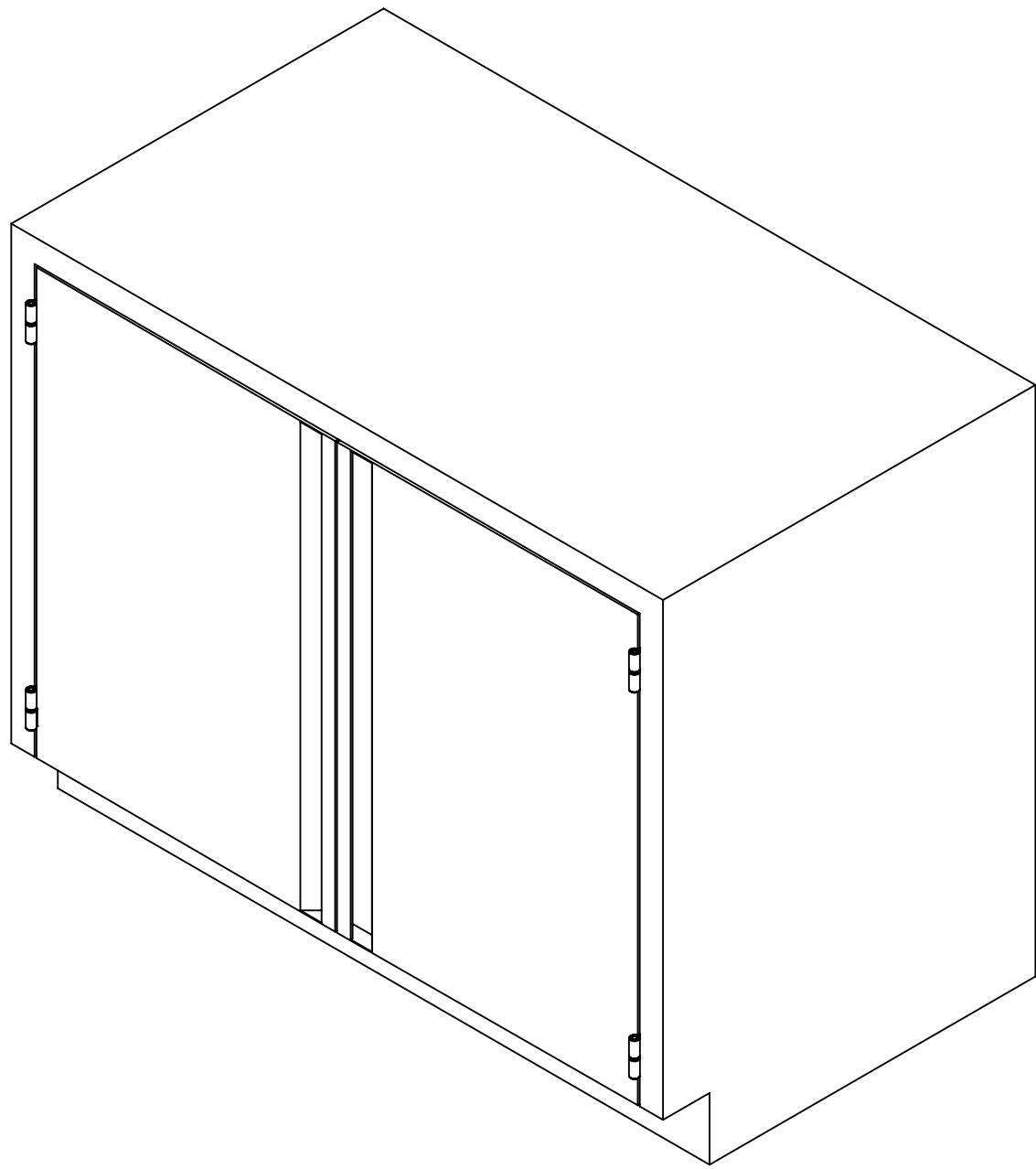
4

3

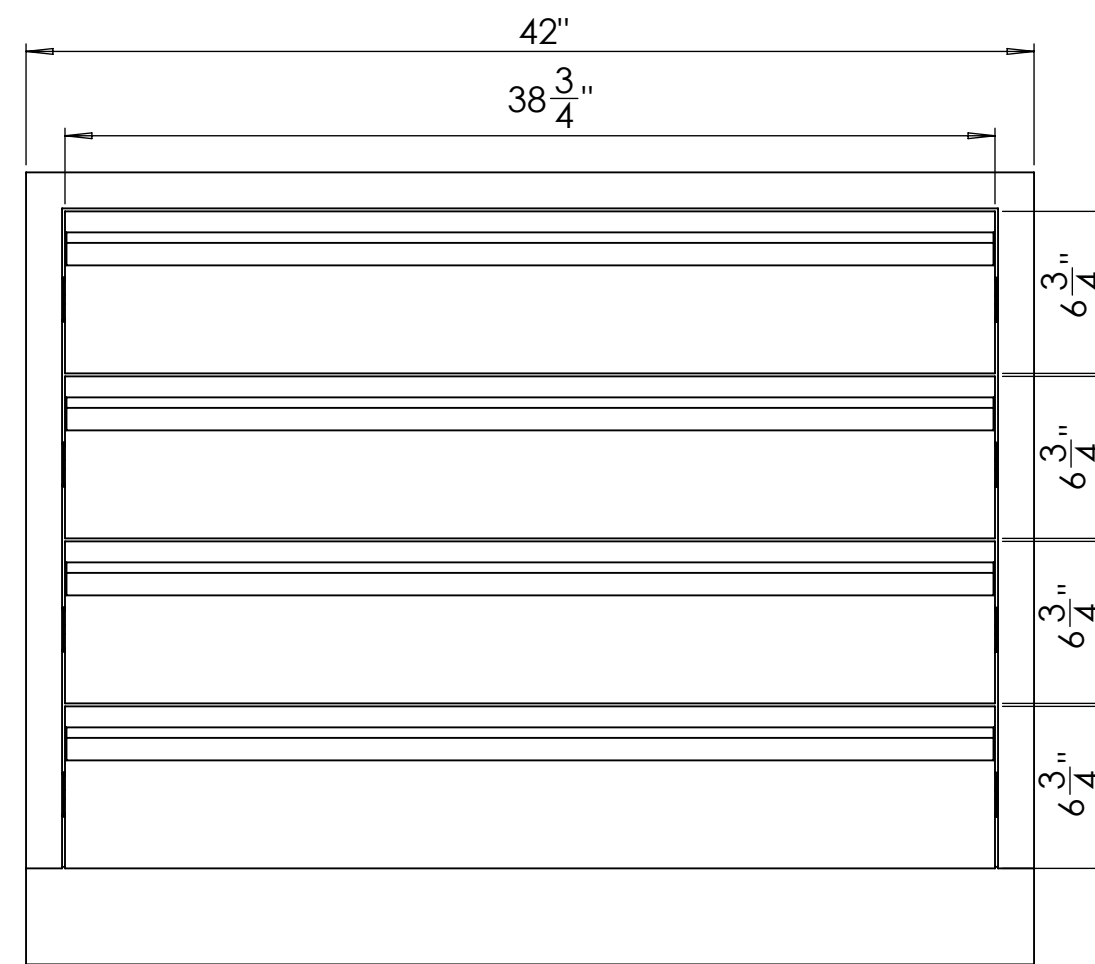
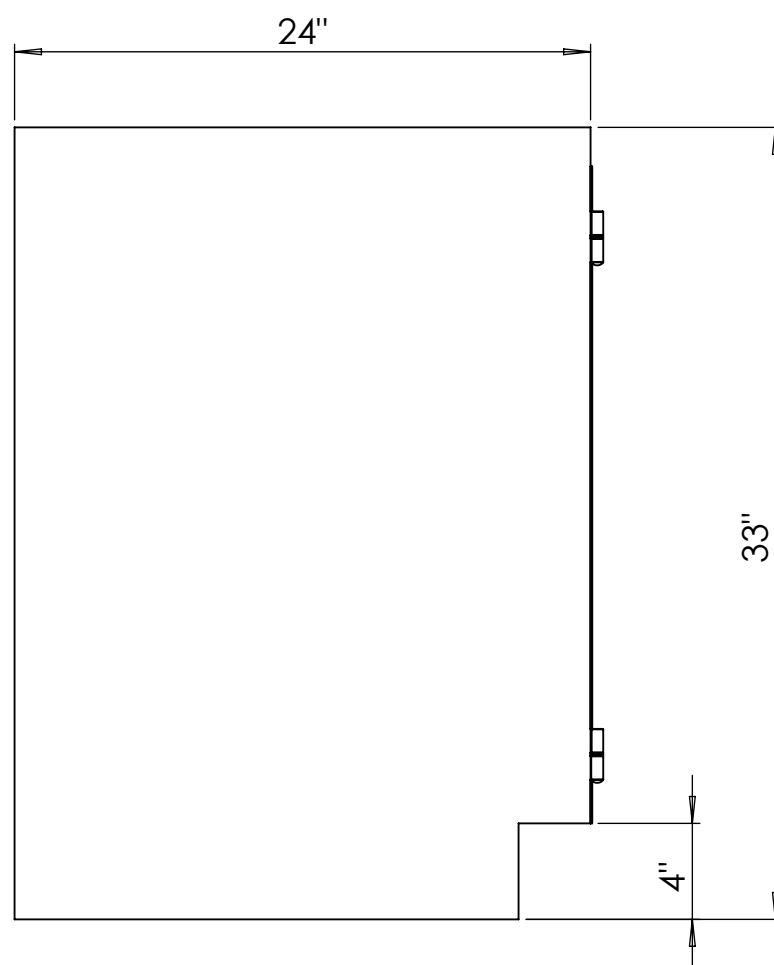
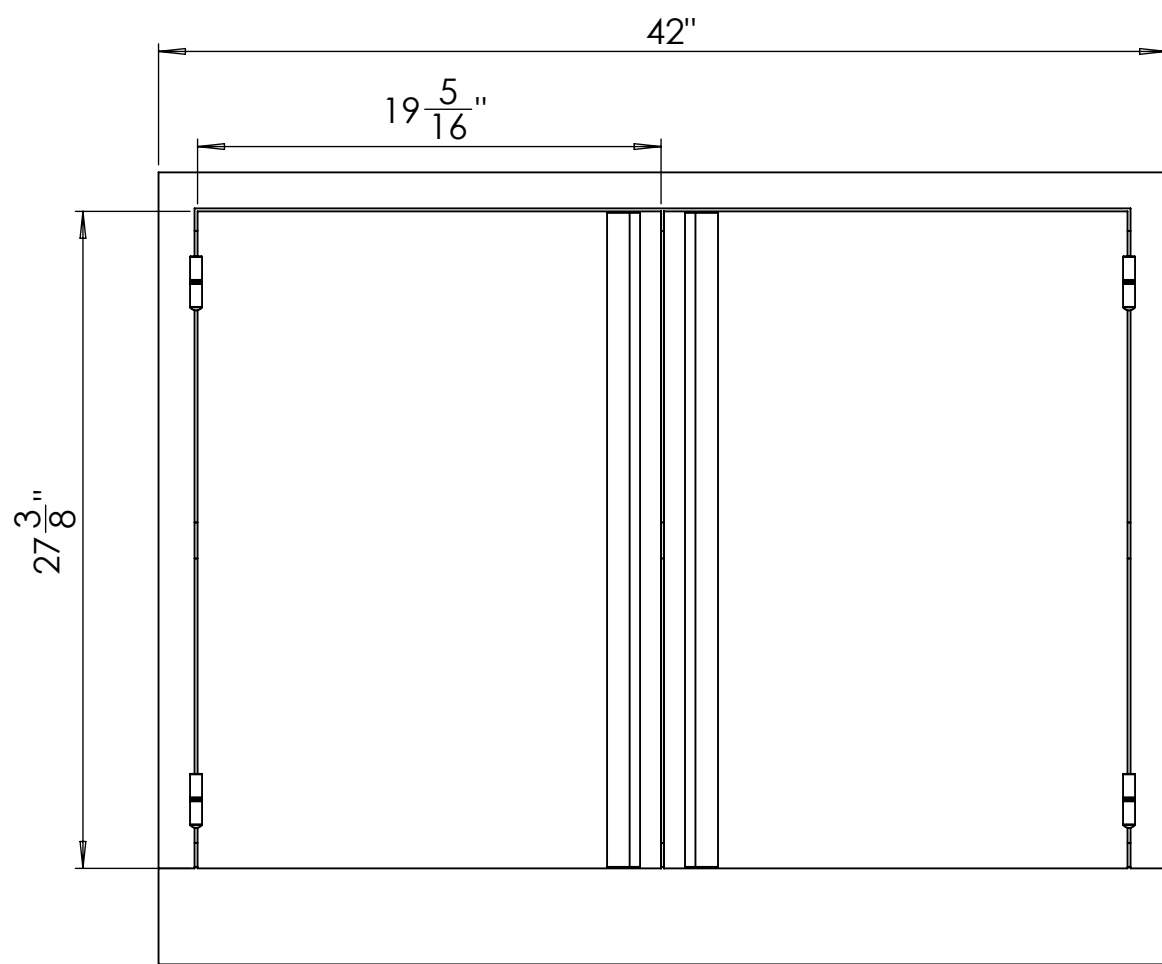
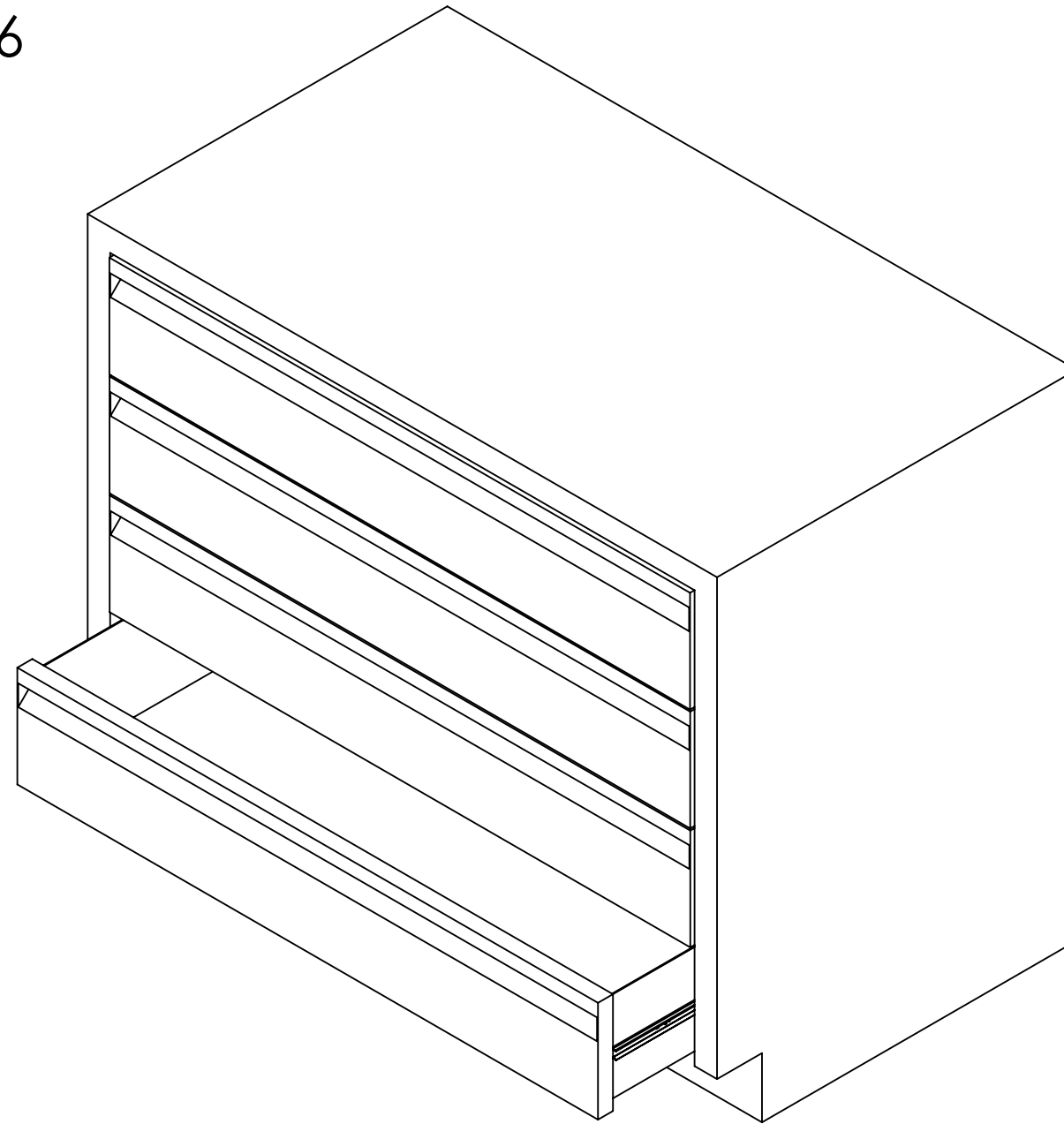
2

1

A-13



A-16



PROPRIETARY AND CONFIDENTIAL
 THE INFORMATION CONTAINED IN THIS DRAWING IS THE SOLE PROPERTY OF BERLIN FOOD & LAB EQUIPMENT CO. ANY REPRODUCTION IN PART OR AS A WHOLE WITHOUT THE WRITTEN PERMISSION OF BERLIN FOOD & LAB EQUIPMENT CO. IS PROHIBITED.

UNLESS OTHERWISE SPECIFIED:		NAME	DATE	BERLIN FOOD & LAB EQUIPMENT CO.
DIMENSIONS ARE IN INCHES		DRAWN		TITLE:
TOLERANCES:		CHECKED		Stainless Steel ADA
FRACTIONAL ±		ENG APPR.		Height Cabinets
ANGULAR: MACH ± BEND ±		MFG APPR.		SIZE DWG. NO. REV
TWO PLACE DECIMAL ±		Q.A.		C A-13 A-16
THREE PLACE DECIMAL ±		COMMENTS:		SCALE: 1:8 WEIGHT: SHEET 4 OF 15
INTERPRET GEOMETRIC TOLERANCING PER:	MATERIAL			
FINISH	DO NOT SCALE DRAWING			
NEXT ASSY	USED ON			
APPLICATION				

4

3

2

1

D

D

C

C

B

B

A

A

4

3

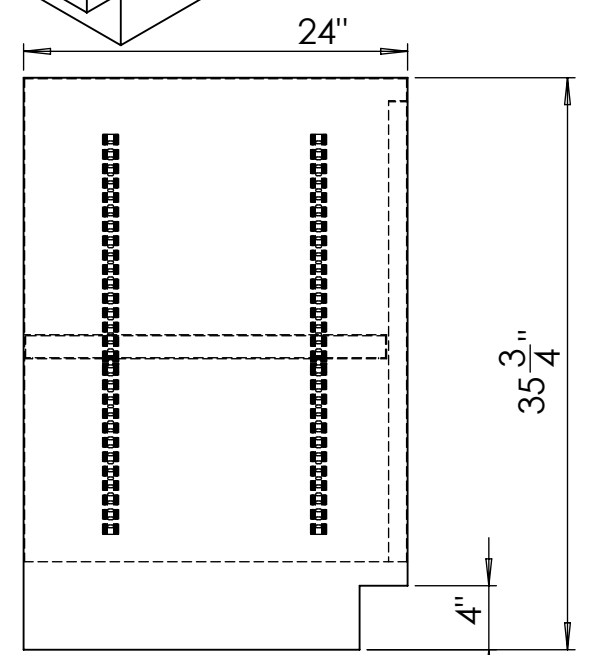
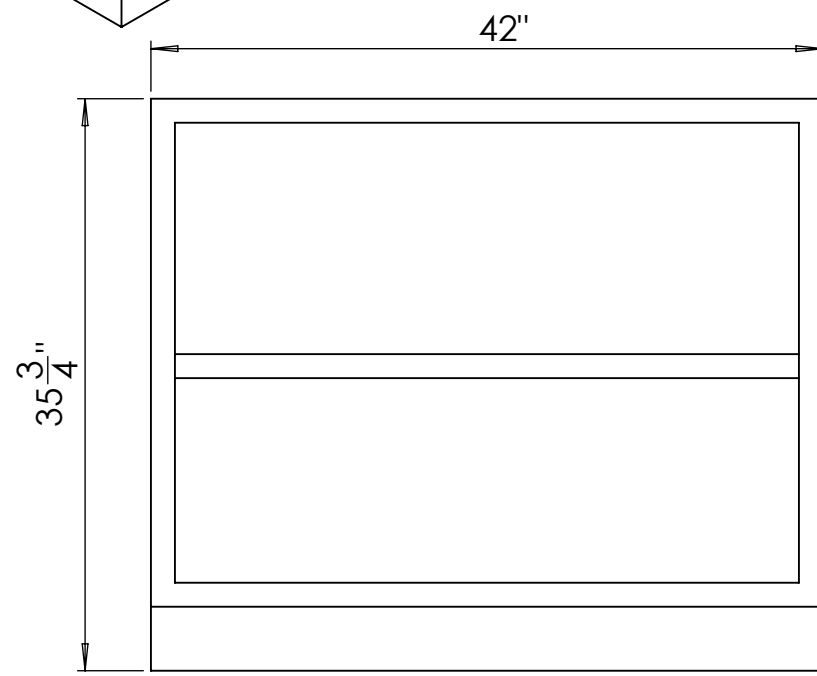
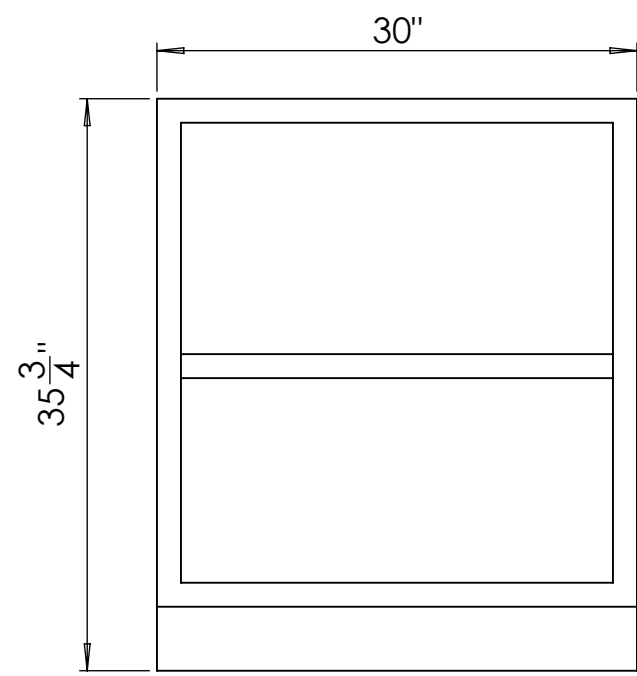
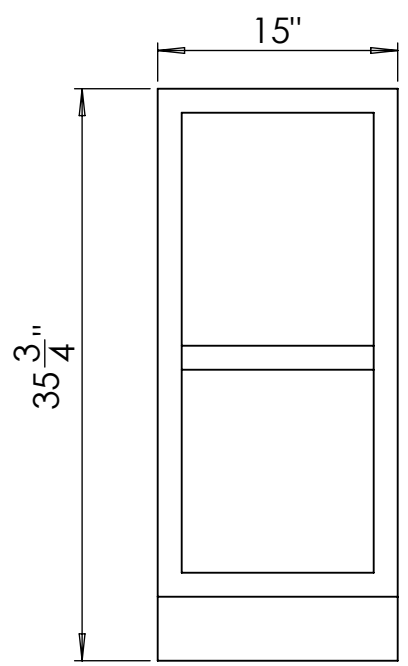
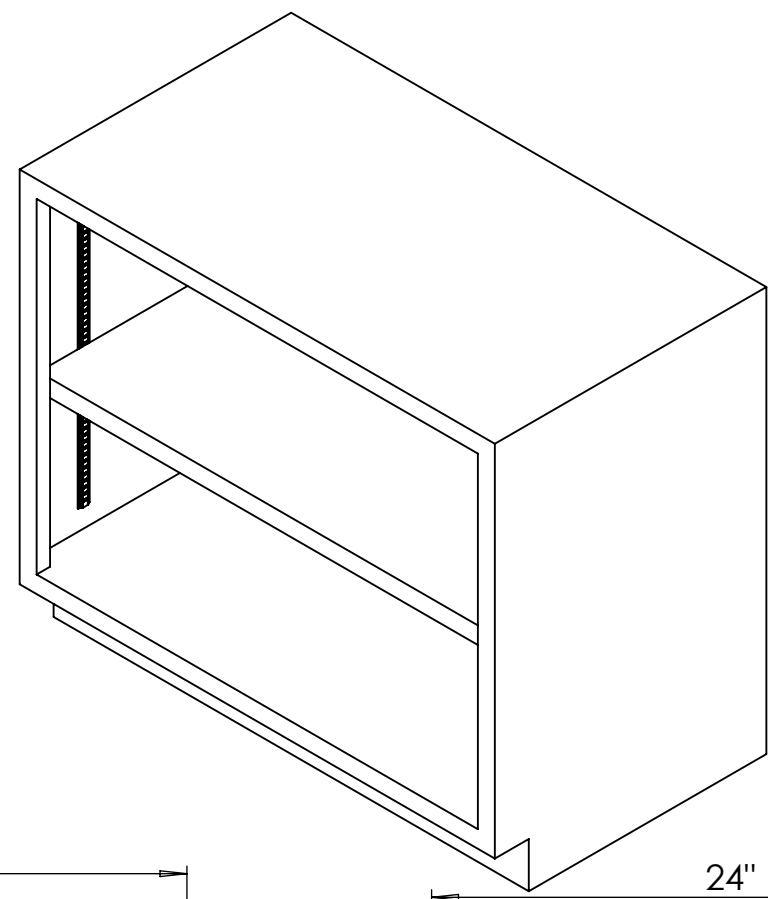
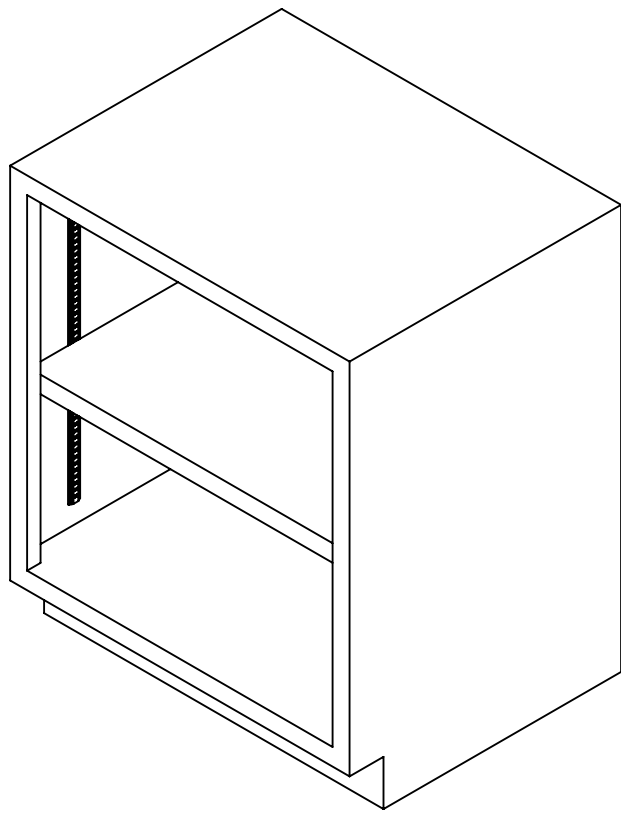
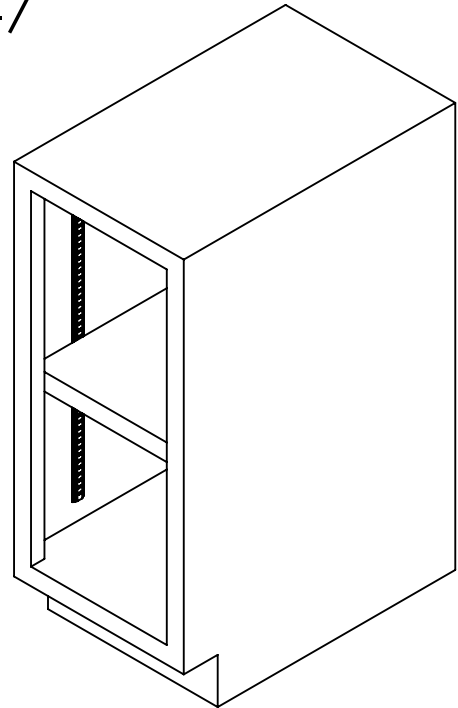
2

1

B-7

B-8

B-9



B-7

B-8

B-9

B

B

A

A



PROPRIETARY AND CONFIDENTIAL
 THE INFORMATION CONTAINED IN THIS DRAWING IS THE SOLE PROPERTY OF BERLIN USA: FOOD & LAB EQUIPMENT. ANY REPRODUCTION IN PART OR AS A WHOLE WITHOUT THE WRITTEN PERMISSION OF BERLIN USA: FOOD & LAB EQUIPMENT IS PROHIBITED.

		UNLESS OTHERWISE SPECIFIED:		NAME	DATE	BERLIN USA: FOOD & LAB EQUIPMENT	
		DIMENSIONS ARE IN INCHES		DRAWN		TITLE: Stainless Steel Standing Height Casework SIZE DWG. NO. B B-7 B-8 B-9 REV SCALE: 1:12 WEIGHT: SHEET 5 OF 15	
		TOLERANCES:		CHECKED			
		FRACTIONAL ±		ENG APPR.			
		ANGULAR: MACH ± BEND ±		MFG APPR.			
		TWO PLACE DECIMAL ±		Q.A.			
		THREE PLACE DECIMAL ±		COMMENTS:			
		INTERPRET GEOMETRIC TOLERANCING PER:					
		MATERIAL					
		FINISH					
NEXT ASSY	USED ON	APPLICATION		DO NOT SCALE DRAWING			

4

3

2

1

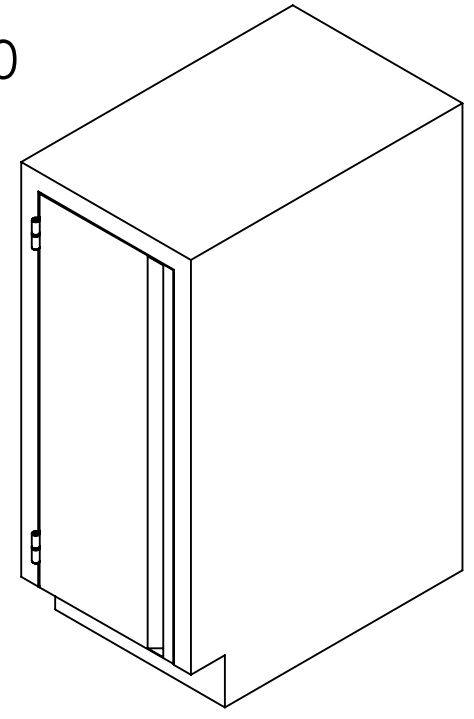
4

3

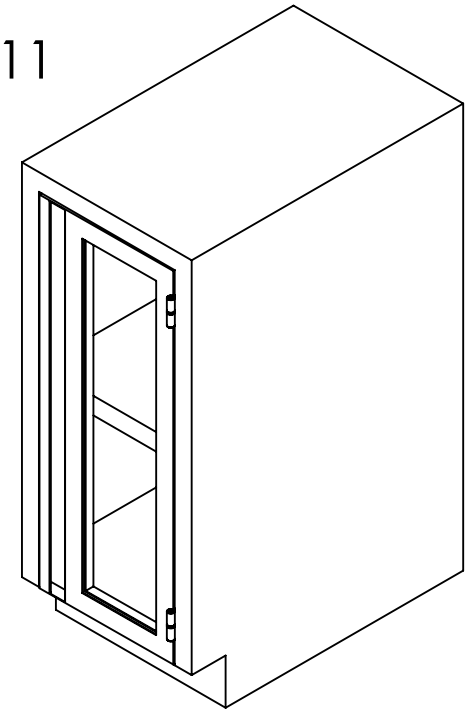
2

1

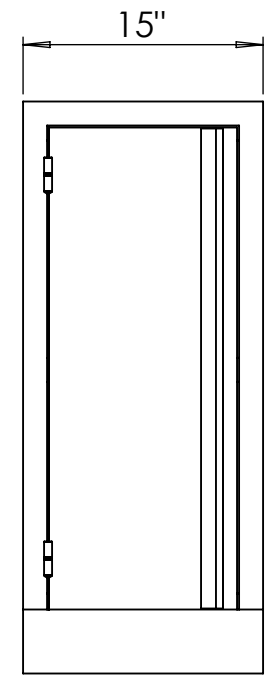
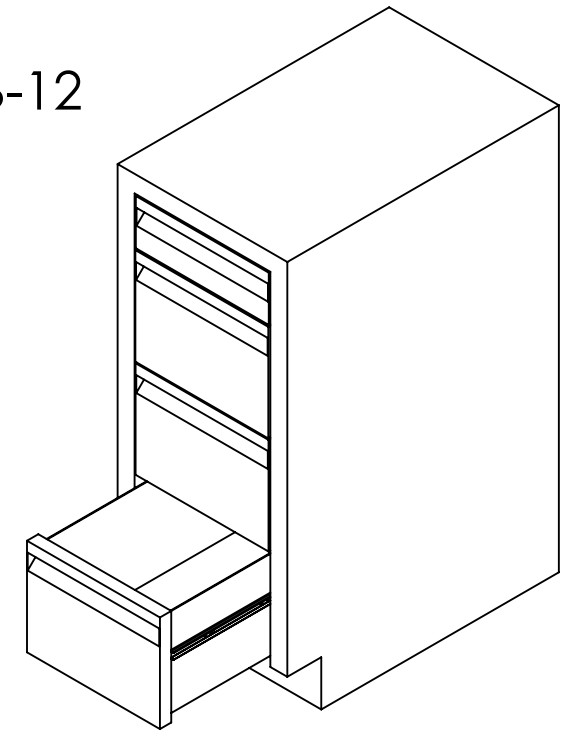
B-10



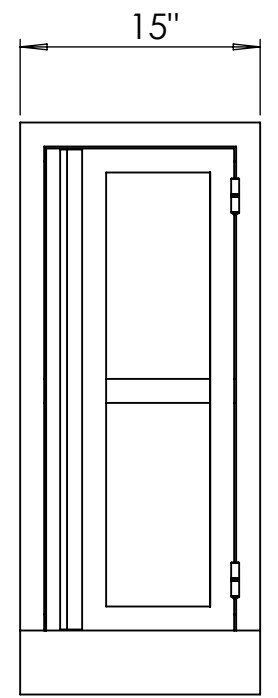
B-11



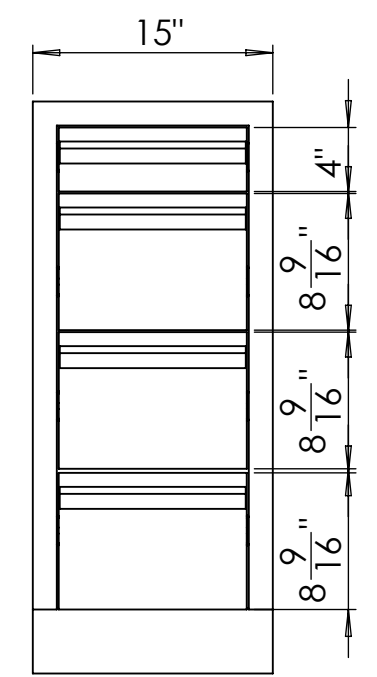
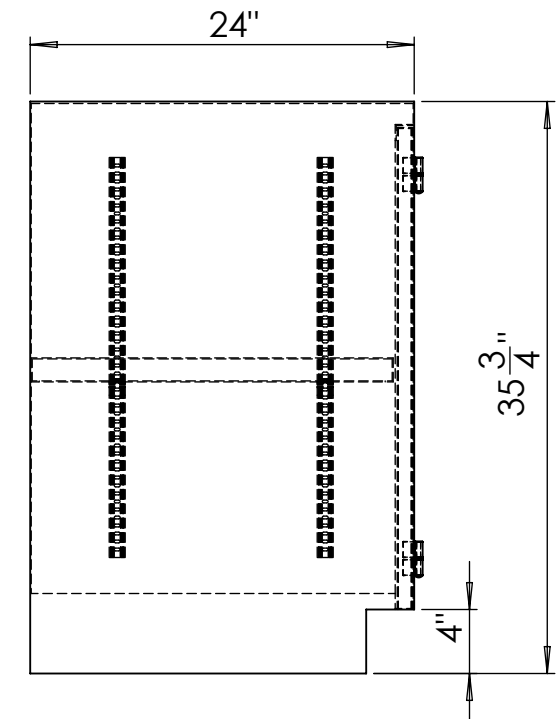
B-12



B-10



B-11



B-12

B

B

A

A



PROPRIETARY AND CONFIDENTIAL
THE INFORMATION CONTAINED IN THIS DRAWING IS THE SOLE PROPERTY OF BERLIN USA: FOOD & LAB EQUIPMENT. ANY REPRODUCTION IN PART OR AS A WHOLE WITHOUT THE WRITTEN PERMISSION OF BERLIN USA: FOOD & LAB EQUIPMENT IS PROHIBITED.

		UNLESS OTHERWISE SPECIFIED:		NAME	DATE	BERLIN USA: FOOD & LAB EQUIPMENT	
		DIMENSIONS ARE IN INCHES TOLERANCES: FRACTIONAL ± ANGULAR: MACH ± BEND ± TWO PLACE DECIMAL ± THREE PLACE DECIMAL ±		DRAWN		TITLE: Stainless Steel Standing Height Cabinets	
		INTERPRET GEOMETRIC TOLERANCING PER:		CHECKED		SIZE DWG. NO. REV	
		MATERIAL		ENG APPR.		B B-10 B-11 B-12	
NEXT ASSY	USED ON	FINISH		MFG APPR.		SCALE: 1:12 WEIGHT: SHEET 6 OF 15	
APPLICATION		DO NOT SCALE DRAWING		Q.A.			
				COMMENTS:			

4

3

2

1

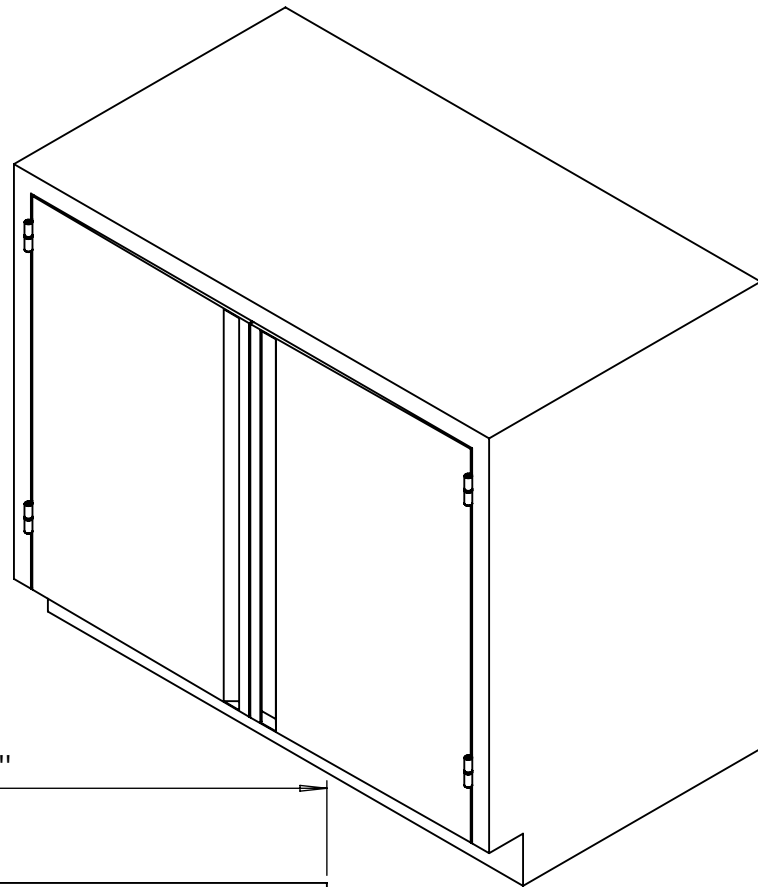
4

3

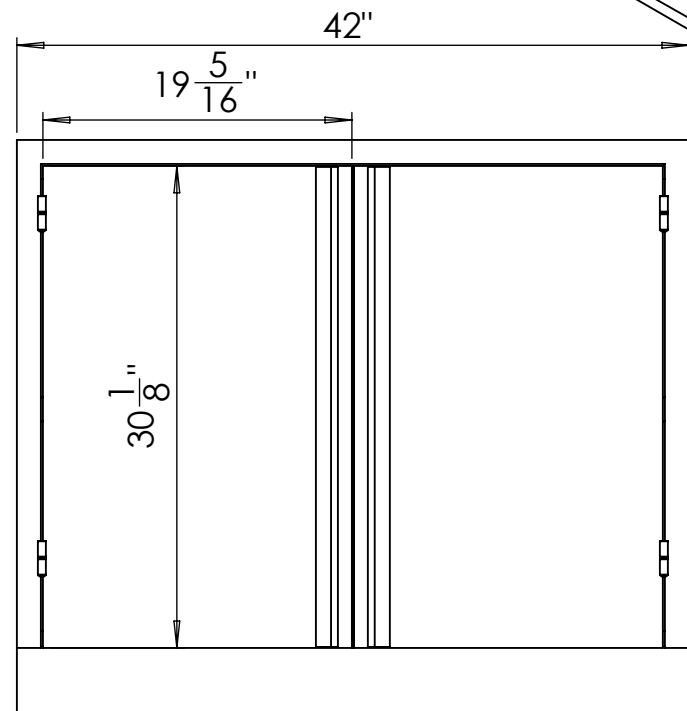
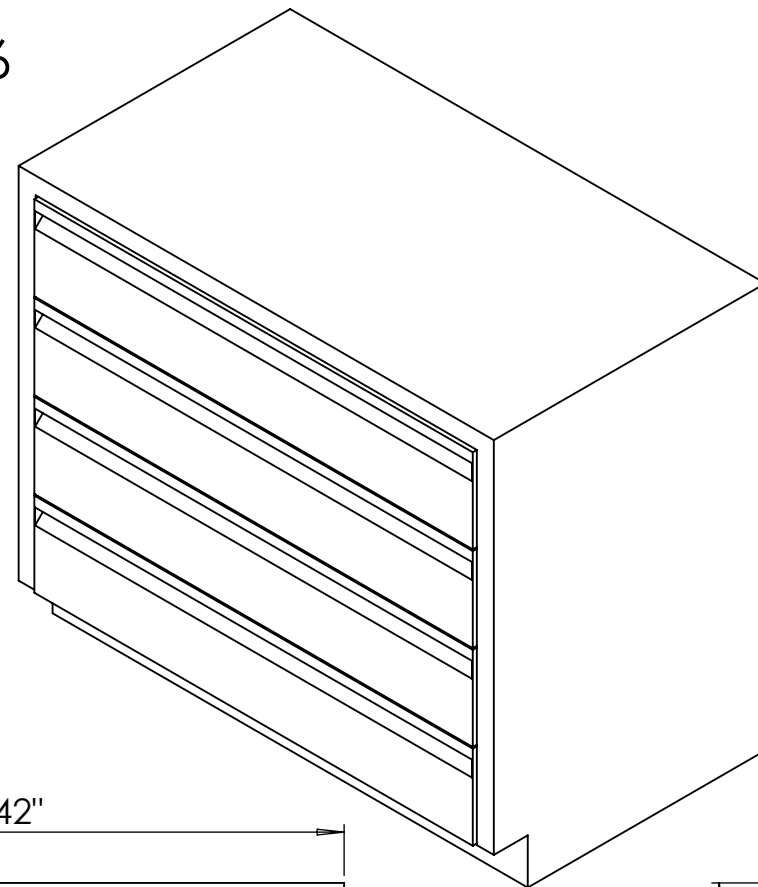
2

1

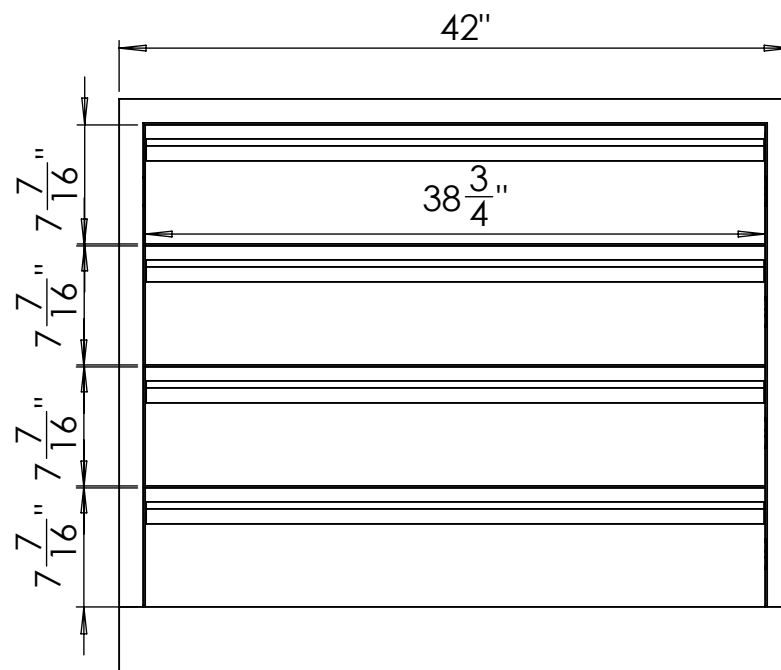
B-13



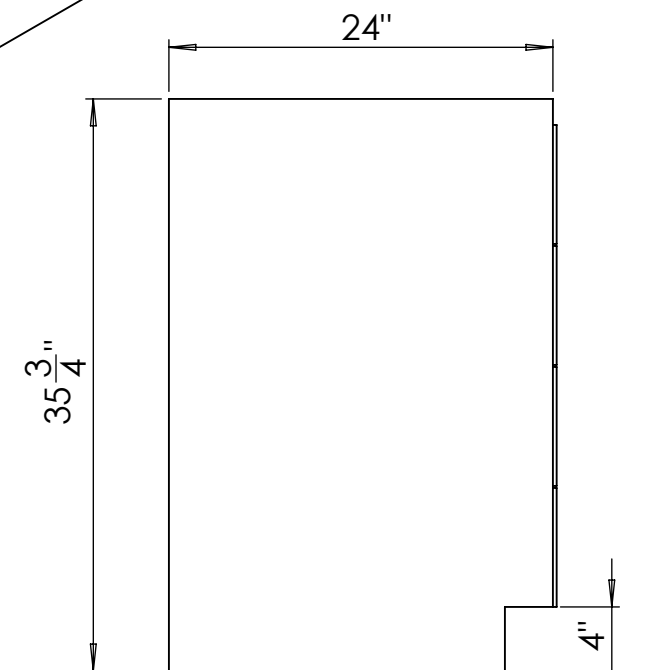
B-16



B-13



B-16



B

A



PROPRIETARY AND CONFIDENTIAL

THE INFORMATION CONTAINED IN THIS DRAWING IS THE SOLE PROPERTY OF BERLIN USA: FOOD & LAB EQUIPMENT. ANY REPRODUCTION IN PART OR AS A WHOLE WITHOUT THE WRITTEN PERMISSION OF BERLIN USA: FOOD & LAB EQUIPMENT IS PROHIBITED.

		UNLESS OTHERWISE SPECIFIED:		NAME	DATE	BERLIN USA: FOOD & LAB EQUIPMENT		
		DIMENSIONS ARE IN INCHES		DRAWN		TITLE: Stainless Steel Standing Height Cabinets		
		TOLERANCES:		CHECKED				
		FRACTIONAL ±		ENG APPR.				
		ANGULAR: MACH ± BEND ±		MFG APPR.				
		TWO PLACE DECIMAL ±		Q.A.		SIZE	DWG. NO.	REV
		THREE PLACE DECIMAL ±		COMMENTS:		B	B-13 B-16	
		INTERPRET GEOMETRIC TOLERANCING PER:				SCALE: 1:12 WEIGHT:		SHEET 7 OF 15
		MATERIAL						
		FINISH						
NEXT ASSY	USED ON							
APPLICATION		DO NOT SCALE DRAWING						

4

3

2

1

B

A

4

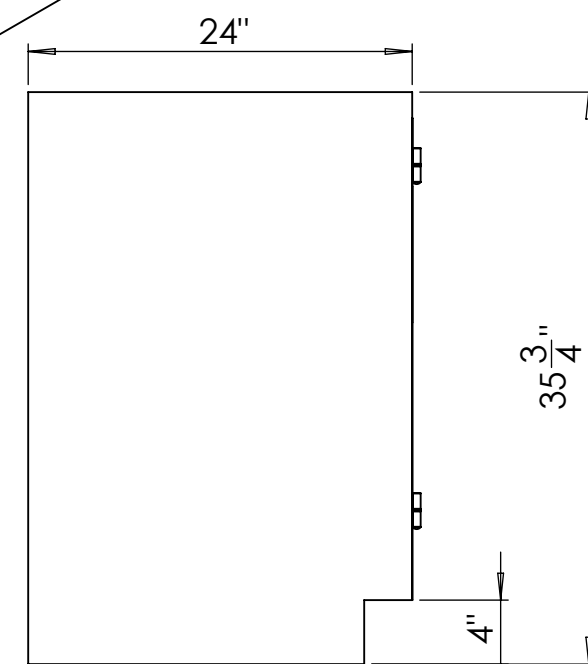
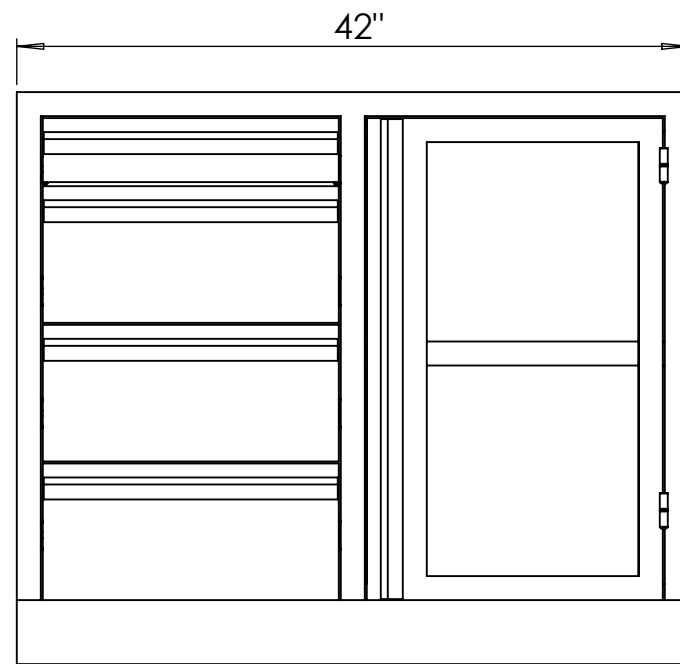
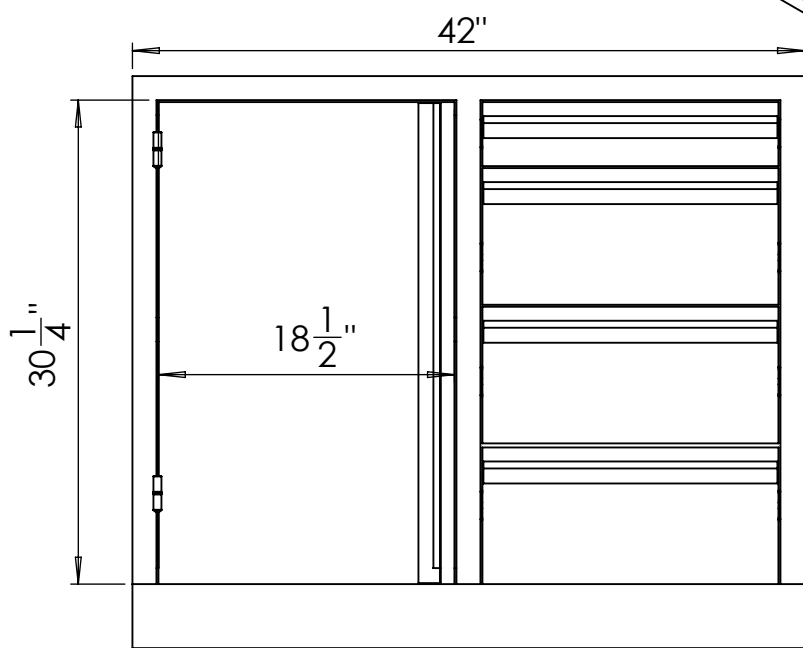
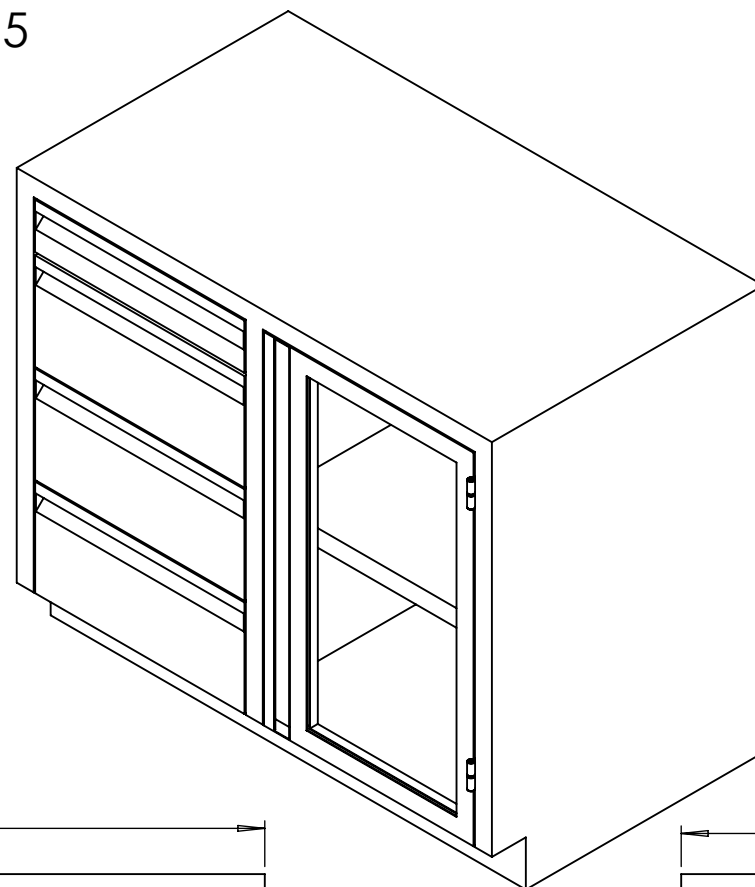
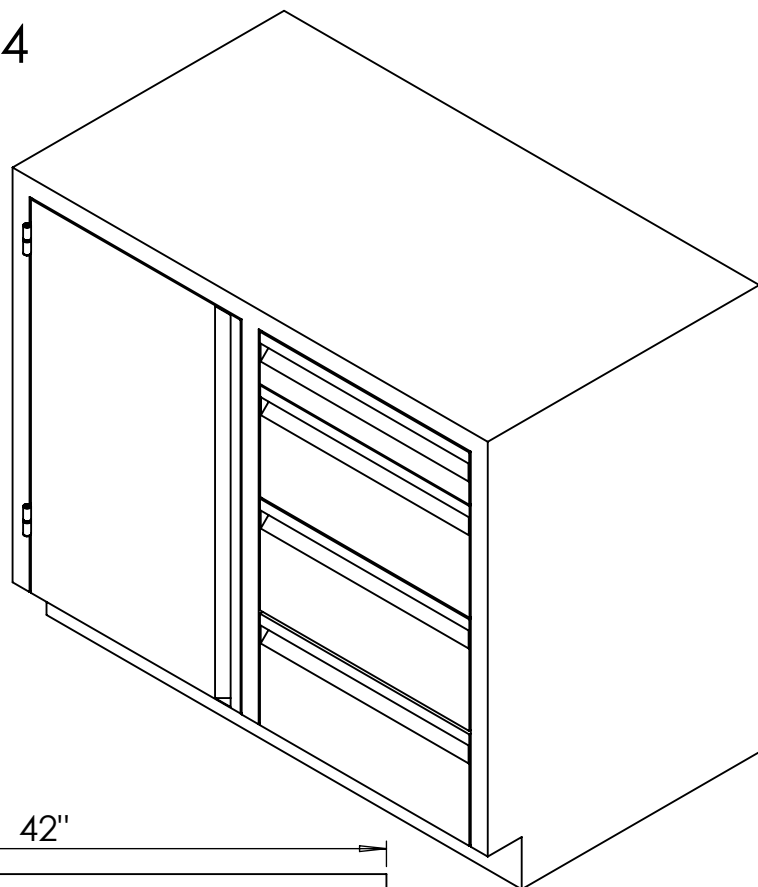
3

2

1

B-14

B-15



B-14

B-15



PROPRIETARY AND CONFIDENTIAL
 THE INFORMATION CONTAINED IN THIS DRAWING IS THE SOLE PROPERTY OF BERLIN USA: FOOD & LAB EQUIPMENT. ANY REPRODUCTION IN PART OR AS A WHOLE WITHOUT THE WRITTEN PERMISSION OF BERLIN USA: FOOD & LAB EQUIPMENT IS PROHIBITED.

		UNLESS OTHERWISE SPECIFIED:		NAME	DATE	BERLIN USA: FOOD & LAB EQUIPMENT	
		DIMENSIONS ARE IN INCHES		DRAWN		TITLE: Stainless Steel Standing Height Cabinets SIZE DWG. NO. REV B B-14 B-15	
		TOLERANCES:		CHECKED			
		FRACTIONAL ±		ENG APPR.			
		ANGULAR: MACH ± BEND ±		MFG APPR.			
		TWO PLACE DECIMAL ±		Q.A.		SCALE: 1:12 WEIGHT:	
		THREE PLACE DECIMAL ±		COMMENTS:		SHEET 8 OF 15	
		INTERPRET GEOMETRIC TOLERANCING PER:					
		MATERIAL					
		FINISH					
NEXT ASSY	USED ON	APPLICATION		DO NOT SCALE DRAWING			

4

3

2

1

B

B

A

A

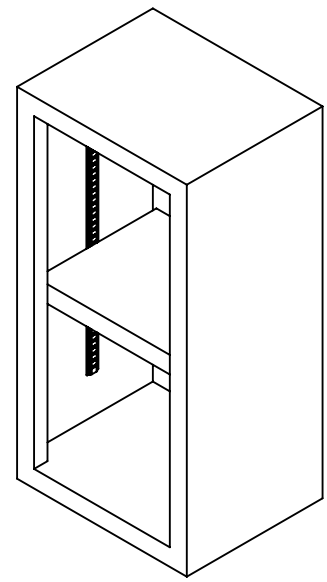
4

3

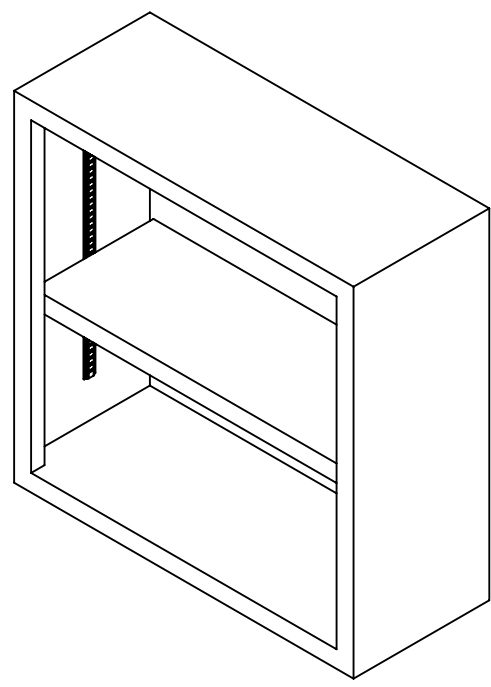
2

1

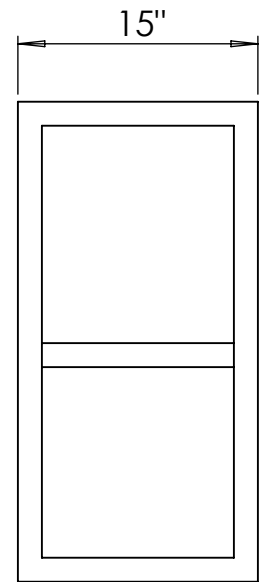
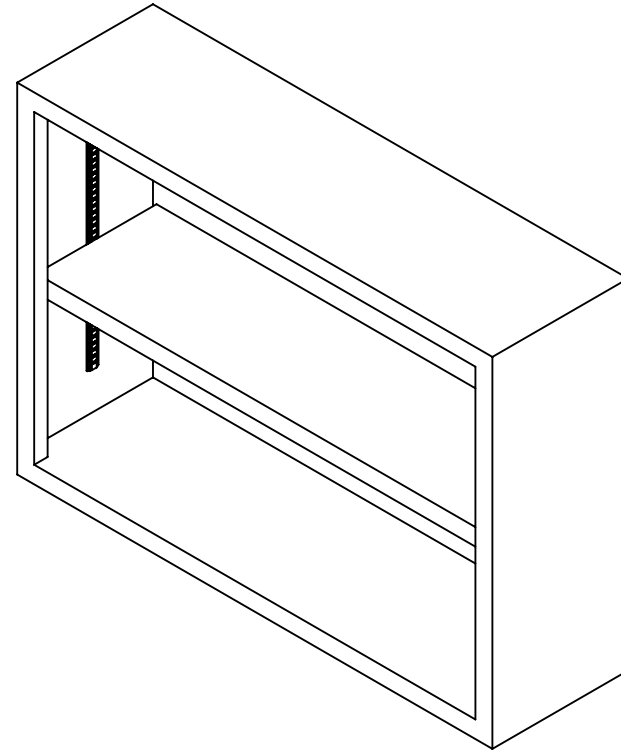
C-7



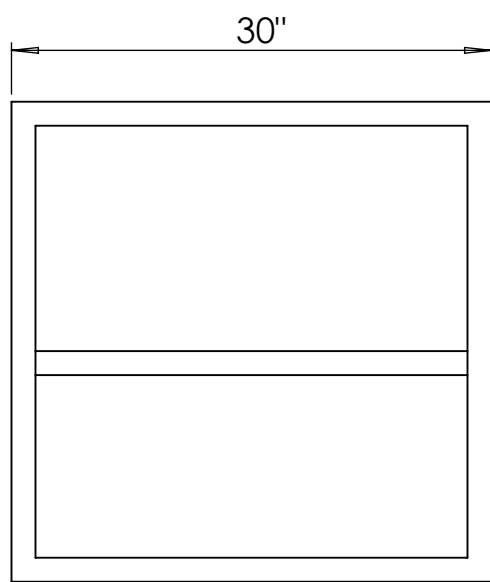
C-8



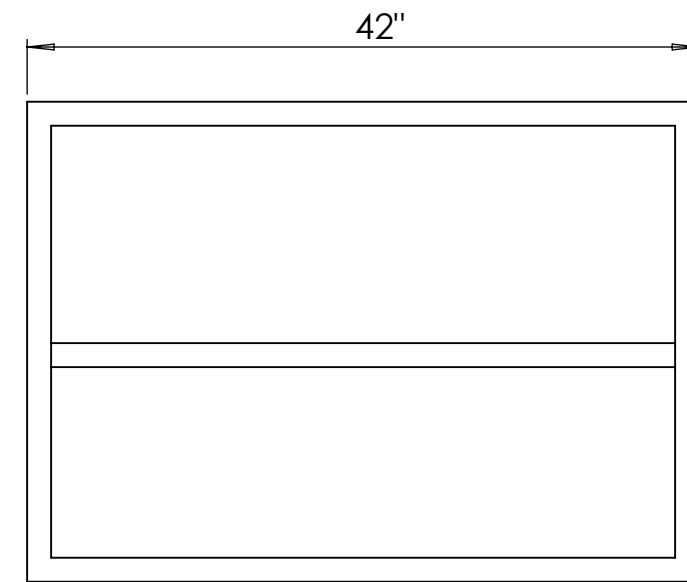
C-9



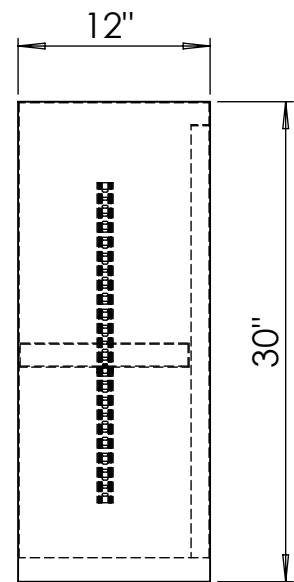
C-7



C-8



C-9



30"

B

B

A

A



PROPRIETARY AND CONFIDENTIAL
THE INFORMATION CONTAINED IN THIS DRAWING IS THE SOLE PROPERTY OF BERLIN FOOD & LAB EQUIPMENT CO. ANY REPRODUCTION IN PART OR AS A WHOLE WITHOUT THE WRITTEN PERMISSION OF BERLIN FOOD & LAB EQUIPMENT CO. IS PROHIBITED.

		UNLESS OTHERWISE SPECIFIED:		NAME	DATE	BERLIN FOOD & LAB EQUIPMENT CO.	
		DIMENSIONS ARE IN INCHES		DRAWN		TITLE:	
		TOLERANCES:		CHECKED		Stainless Steel Wall Hung Casework	
		FRACTIONAL ±		ENG APPR.		SIZE DWG. NO. REV	
		ANGULAR: MACH ± BEND ±		MFG APPR.		B C-7 C-8 C-9	
		TWO PLACE DECIMAL ±		Q.A.		SCALE: 1:8 WEIGHT: SHEET 9 OF 15	
		THREE PLACE DECIMAL ±		COMMENTS:			
		INTERPRET GEOMETRIC TOLERANCING PER:					
		MATERIAL					
NEXT ASSY	USED ON	FINISH					
APPLICATION		DO NOT SCALE DRAWING					

4

3

2

1

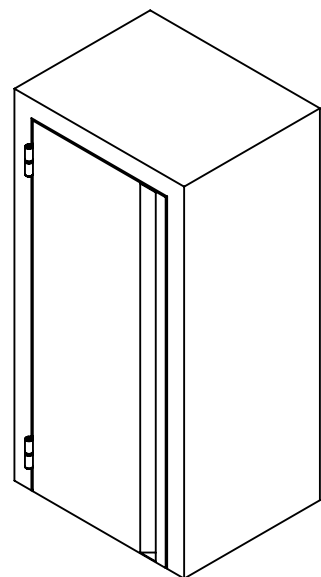
4

3

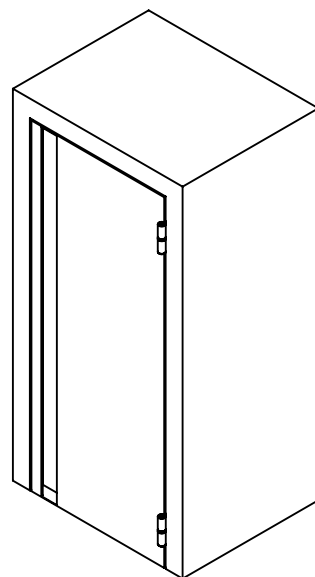
2

1

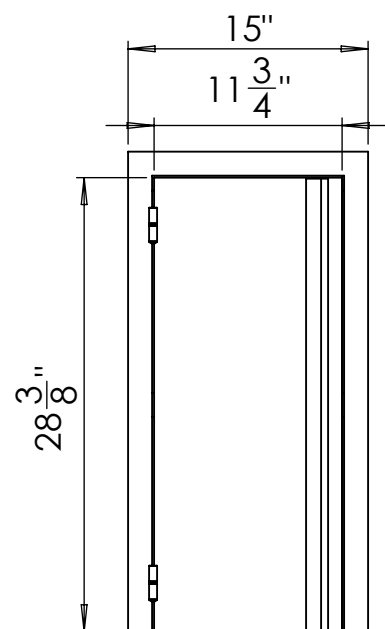
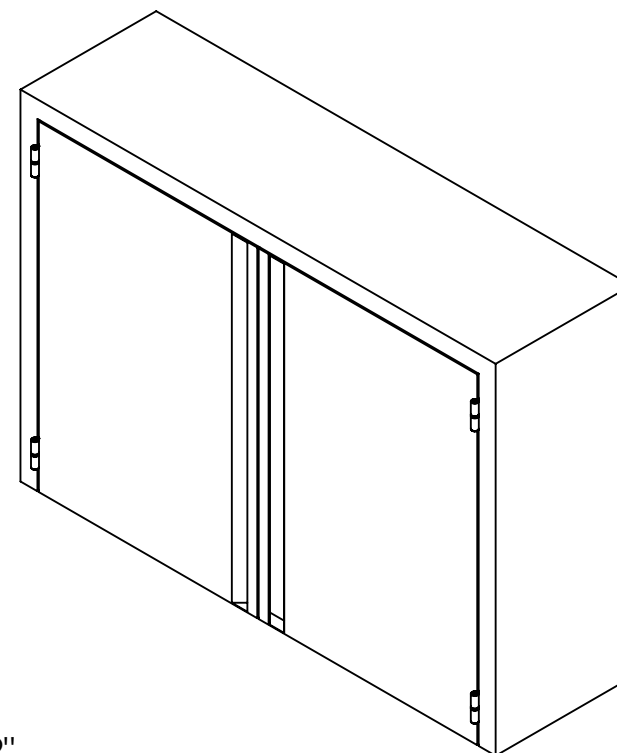
C-10



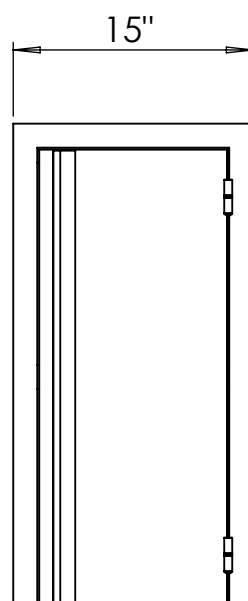
C-11



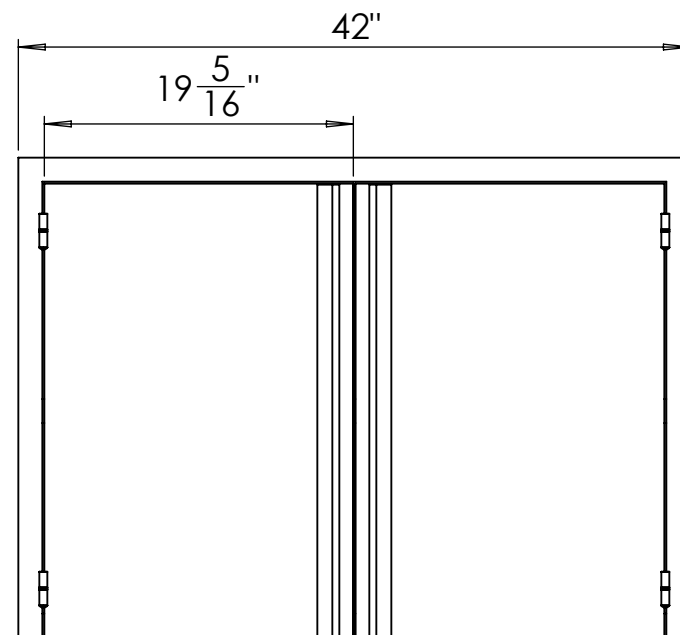
C-12



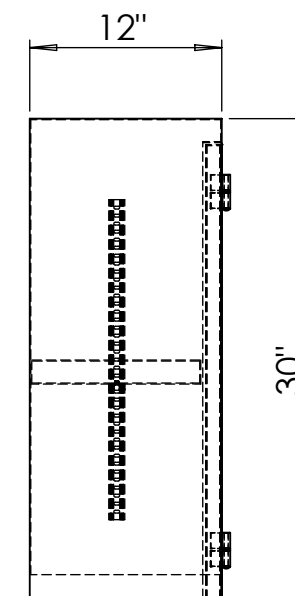
C-10



C-11



C-12



B

B

A

A



PROPRIETARY AND CONFIDENTIAL
THE INFORMATION CONTAINED IN THIS DRAWING IS THE SOLE PROPERTY OF BERLIN FOOD & LAB EQUIPMENT CO. ANY REPRODUCTION IN PART OR AS A WHOLE WITHOUT THE WRITTEN PERMISSION OF BERLIN FOOD & LAB EQUIPMENT CO. IS PROHIBITED.

		UNLESS OTHERWISE SPECIFIED:		NAME	DATE	BERLIN FOOD & LAB EQUIPMENT CO.	
		DIMENSIONS ARE IN INCHES		DRAWN		TITLE:	
		TOLERANCES:		CHECKED		Stainless Steel Wall Hung Cabinets	
		FRACTIONAL ±		ENG APPR.		SIZE DWG. NO. REV	
		ANGULAR: MACH ± BEND ±		MFG APPR.		B C-10 C-11 C-12	
		TWO PLACE DECIMAL ±		Q.A.		SCALE: 1:8 WEIGHT: SHEET 10 OF 15	
		THREE PLACE DECIMAL ±		COMMENTS:			
		INTERPRET GEOMETRIC TOLERANCING PER:					
		MATERIAL					
		FINISH					
NEXT ASSY	USED ON	APPLICATION		DO NOT SCALE DRAWING			

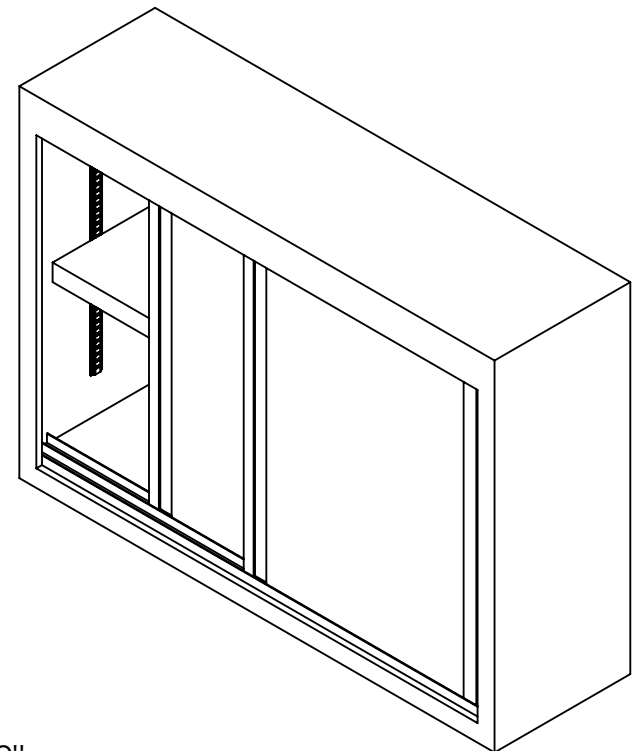
4

3

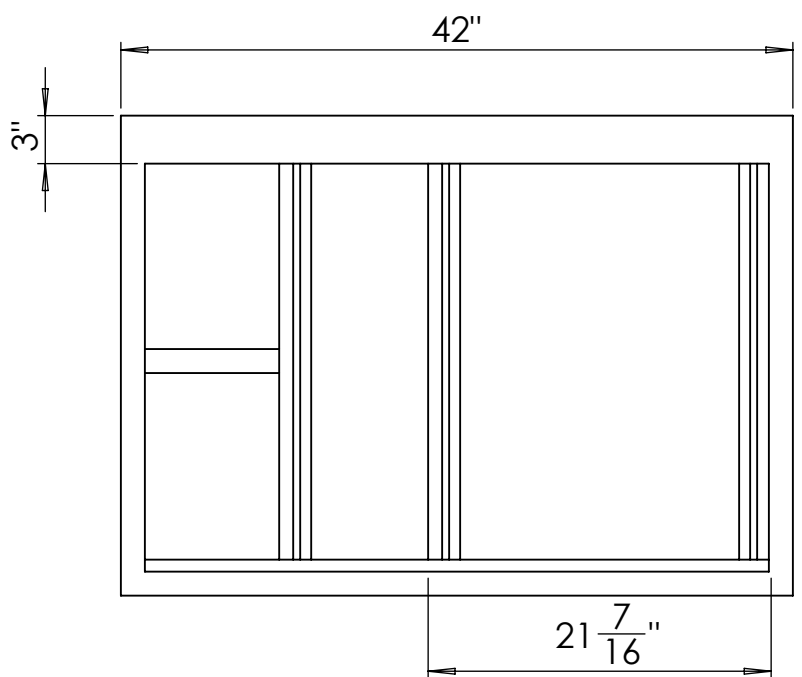
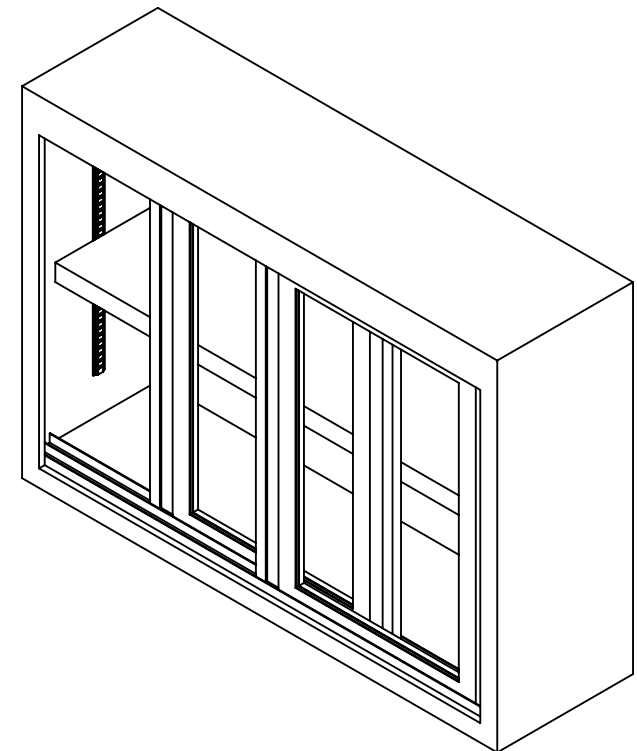
2

1

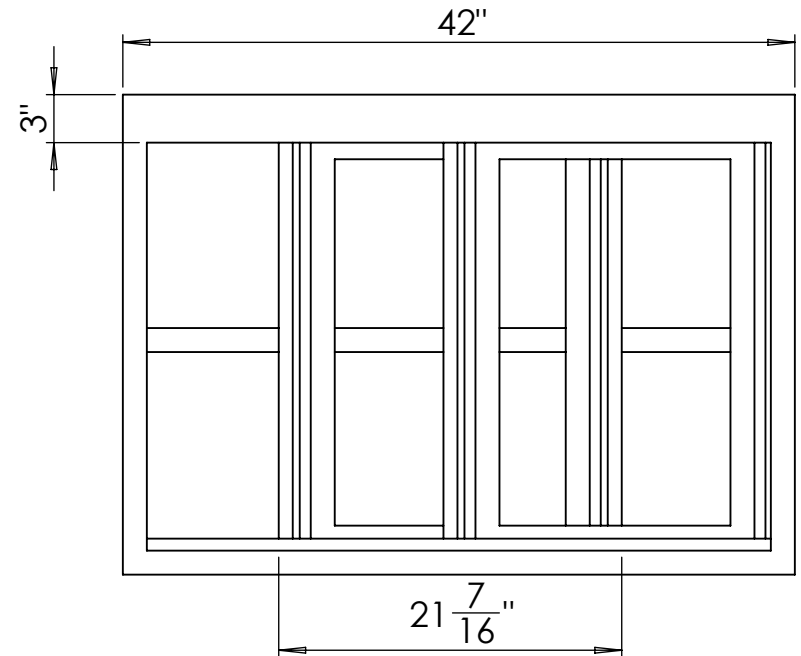
C-12S



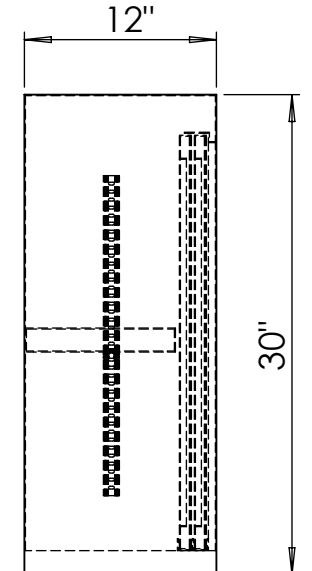
C-14S



C-12S



C-14S



B

B

A

A



PROPRIETARY AND CONFIDENTIAL
 THE INFORMATION CONTAINED IN THIS DRAWING IS THE SOLE PROPERTY OF BERLIN FOOD & LAB EQUIPMENT CO. ANY REPRODUCTION IN PART OR AS A WHOLE WITHOUT THE WRITTEN PERMISSION OF BERLIN FOOD & LAB EQUIPMENT CO. IS PROHIBITED.

UNLESS OTHERWISE SPECIFIED:		NAME	DATE
DIMENSIONS ARE IN INCHES		DRAWN	
TOLERANCES:		CHECKED	
FRACTIONAL ±		ENG APPR.	
ANGULAR: MACH ± BEND ±		MFG APPR.	
TWO PLACE DECIMAL ±		Q.A.	
THREE PLACE DECIMAL ±		COMMENTS:	
INTERPRET GEOMETRIC TOLERANCING PER:	MATERIAL		
FINISH			
NEXT ASSY	USED ON		
APPLICATION	DO NOT SCALE DRAWING		

BERLIN FOOD & LAB EQUIPMENT CO.		
TITLE:		
Stainless Steel Wall Hung Cabinets		
SIZE	DWG. NO.	REV
B	C-12S C-14S	
SCALE: 1:8	WEIGHT:	SHEET 11 OF 15

4

3

2

1

4

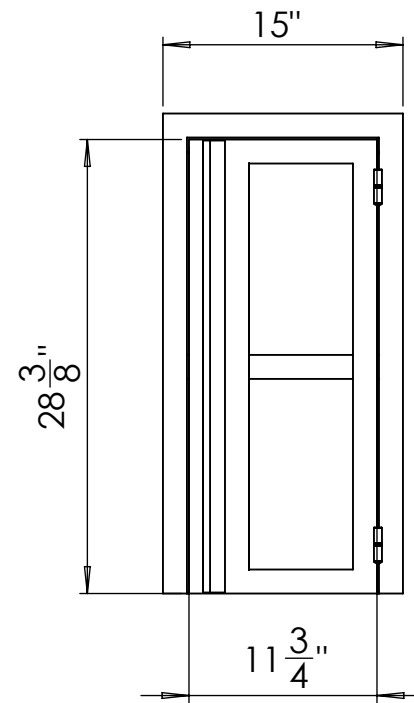
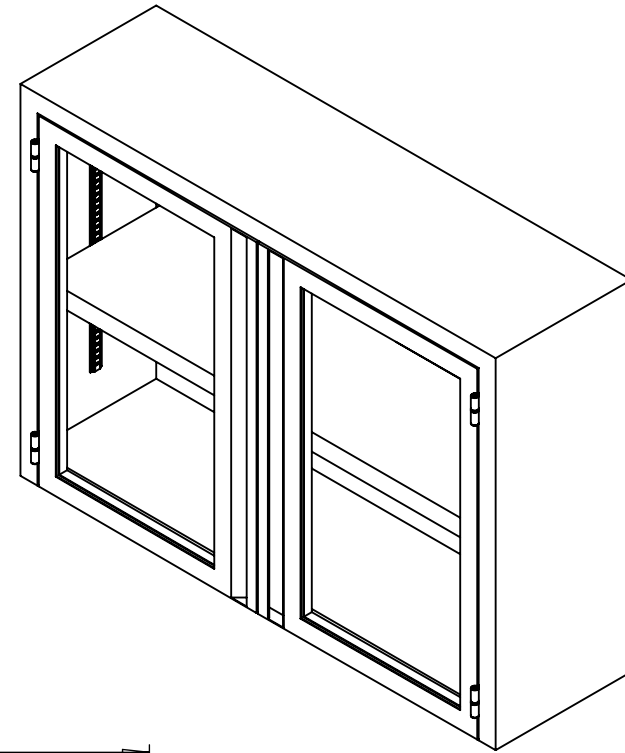
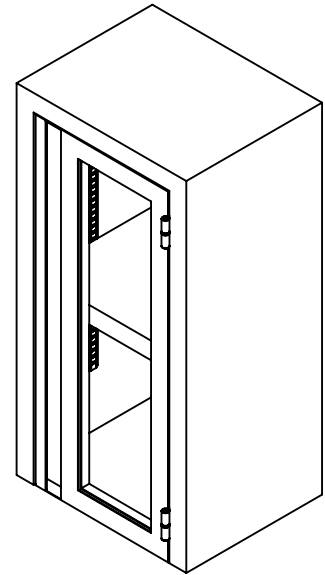
3

2

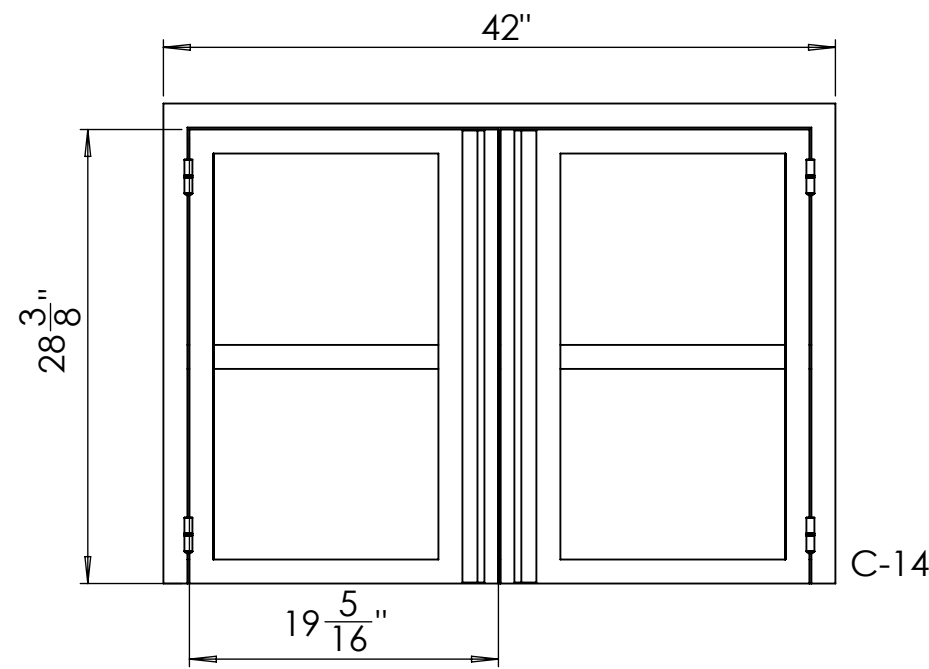
1

C-13

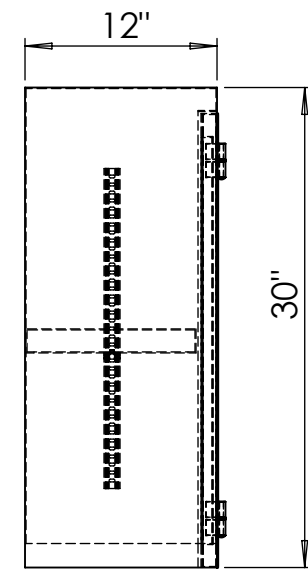
C-14



C-13



C-14



B

B

A

A



PROPRIETARY AND CONFIDENTIAL

THE INFORMATION CONTAINED IN THIS DRAWING IS THE SOLE PROPERTY OF BERLIN FOOD & LAB EQUIPMENT CO. ANY REPRODUCTION IN PART OR AS A WHOLE WITHOUT THE WRITTEN PERMISSION OF BERLIN FOOD & LAB EQUIPMENT CO. IS PROHIBITED.

		UNLESS OTHERWISE SPECIFIED:		NAME	DATE	BERLIN FOOD & LAB EQUIPMENT CO.	
		DIMENSIONS ARE IN INCHES		DRAWN		TITLE:	
		TOLERANCES:		CHECKED		Stainless Steel Wall Hung Cabinets	
		FRACTIONAL ±		ENG APPR.		SIZE DWG. NO. REV	
		ANGULAR: MACH ± BEND ±		MFG APPR.		B C-13 C-14	
		TWO PLACE DECIMAL ±		Q.A.		SCALE: 1:8 WEIGHT: SHEET 12 OF 15	
		THREE PLACE DECIMAL ±		COMMENTS:			
		INTERPRET GEOMETRIC TOLERANCING PER:					
		MATERIAL					
		FINISH					
NEXT ASSY	USED ON	APPLICATION		DO NOT SCALE DRAWING			

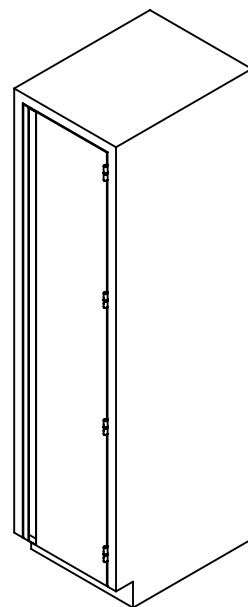
4

3

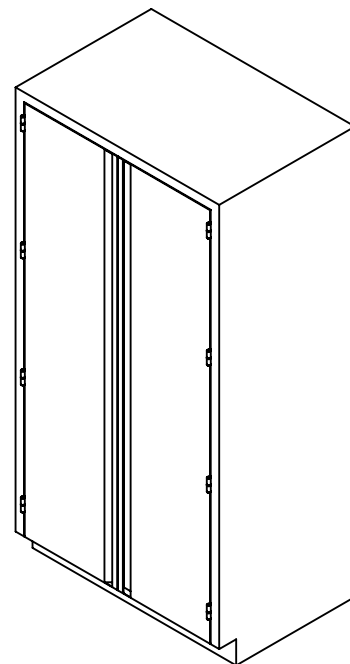
2

1

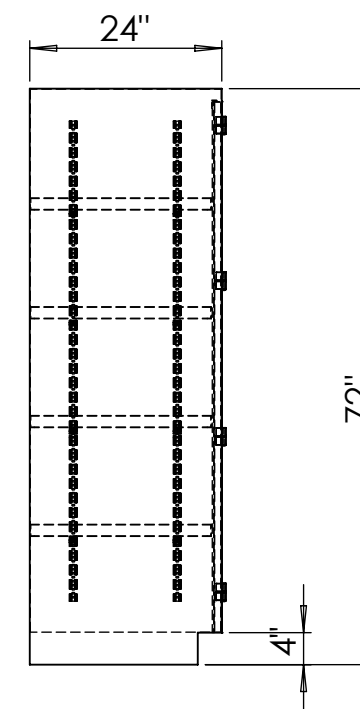
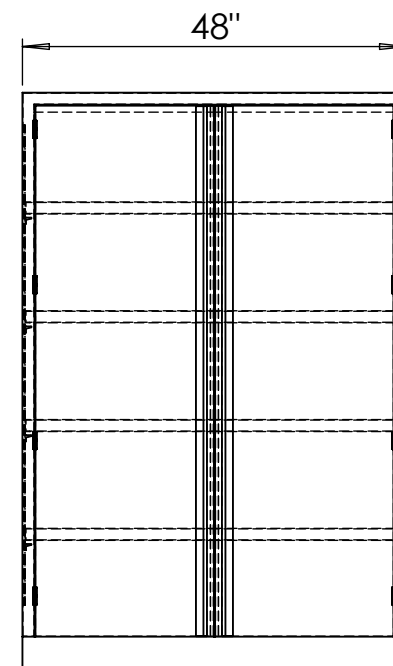
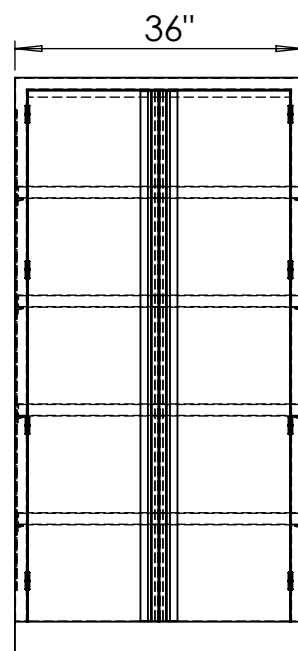
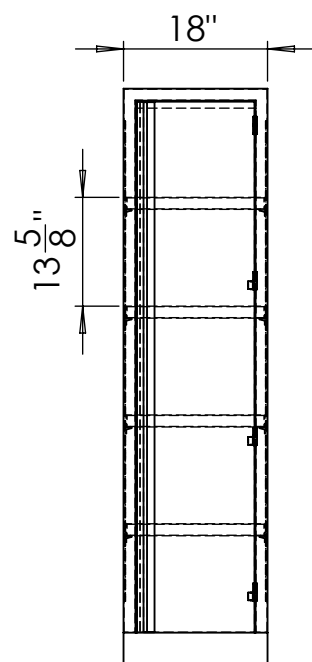
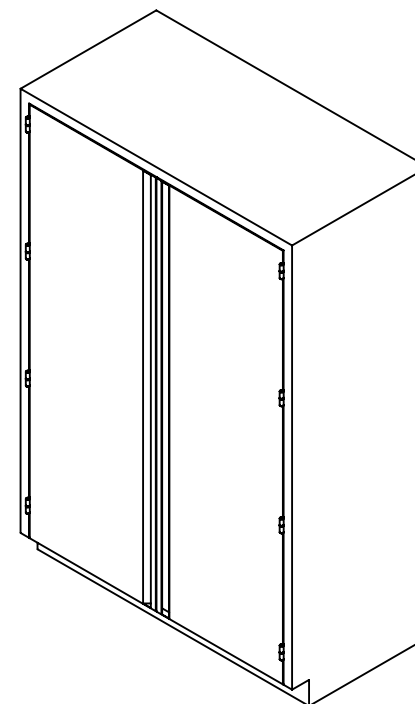
D-7



D-8



D-9



PROPRIETARY AND CONFIDENTIAL
THE INFORMATION CONTAINED IN THIS DRAWING IS THE SOLE PROPERTY OF BERLIN FOOD & LAB EQUIPMENT CO. ANY REPRODUCTION IN PART OR AS A WHOLE WITHOUT THE WRITTEN PERMISSION OF BERLIN FOOD & LAB EQUIPMENT CO. IS PROHIBITED.

		UNLESS OTHERWISE SPECIFIED:		NAME	DATE	BERLIN FOOD & LAB EQUIPMENT CO.	
		DIMENSIONS ARE IN INCHES		DRAWN		TITLE:	
		TOLERANCES:		CHECKED		Stainless Steel Full Height Cabinets	
		FRACTIONAL ±		ENG APPR.		SIZE DWG. NO. REV	
		ANGULAR: MACH ± BEND ±		MFG APPR.		B D-7 D-8 D-9	
		TWO PLACE DECIMAL ±		Q.A.		SCALE: 1:24 WEIGHT: SHEET 13 OF 15	
		THREE PLACE DECIMAL ±		COMMENTS:			
		INTERPRET GEOMETRIC TOLERANCING PER:					
		MATERIAL					
		FINISH					
NEXT ASSY	USED ON	APPLICATION		DO NOT SCALE DRAWING			

4

3

2

1

B

B

A

A

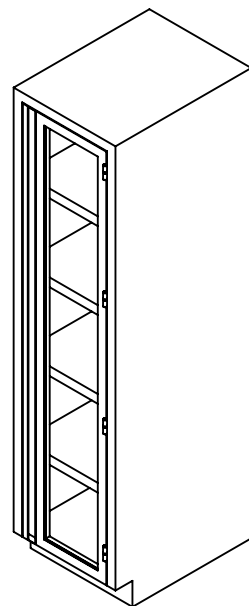
4

3

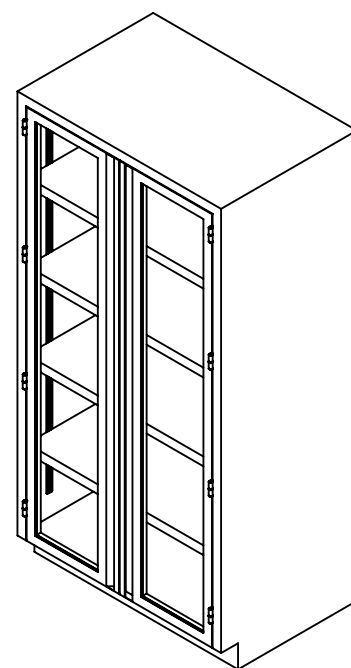
2

1

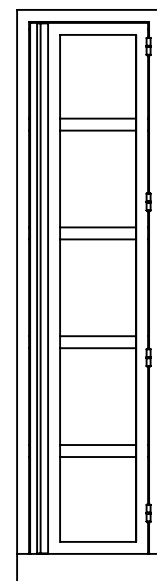
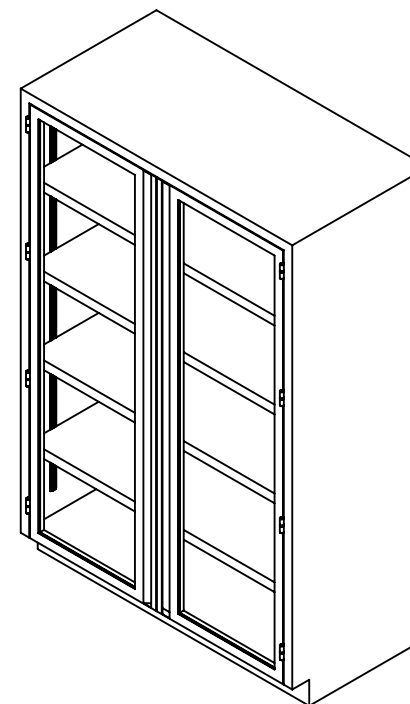
D-10



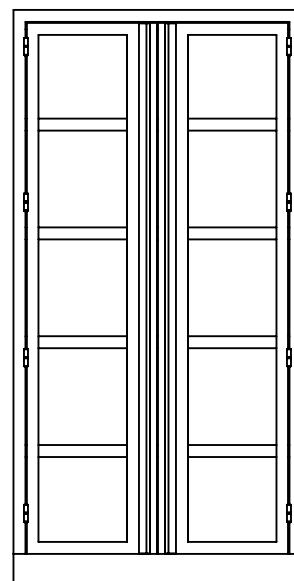
D-11



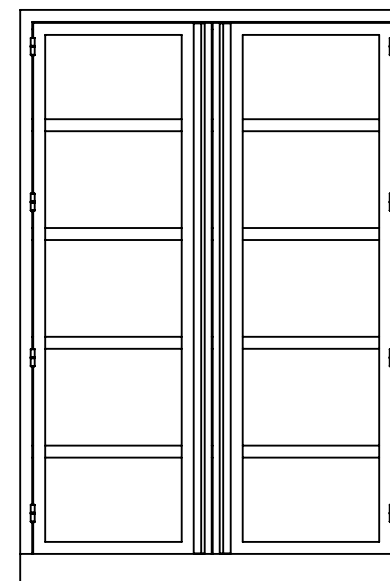
D-12



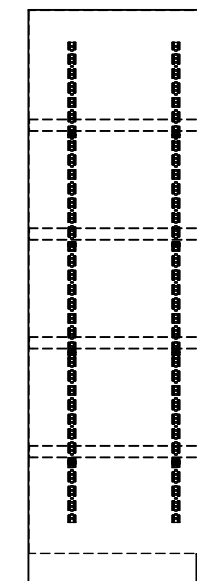
D-10



D-11



D-12



B

B

A

A



PROPRIETARY AND CONFIDENTIAL

THE INFORMATION CONTAINED IN THIS DRAWING IS THE SOLE PROPERTY OF BERLIN FOOD & LAB EQUIPMENT CO. ANY REPRODUCTION IN PART OR AS A WHOLE WITHOUT THE WRITTEN PERMISSION OF BERLIN FOOD & LAB EQUIPMENT CO. IS PROHIBITED.

		UNLESS OTHERWISE SPECIFIED:		NAME	DATE	BERLIN FOOD & LAB EQUIPMENT CO.	
		DIMENSIONS ARE IN INCHES		DRAWN		TITLE:	
		TOLERANCES:		CHECKED		Stainless Steel Full Height Cabinets	
		FRACTIONAL ±		ENG APPR.		SIZE DWG. NO. REV	
		ANGULAR: MACH ± BEND ±		MFG APPR.		D-10 D-11 D-12	
		TWO PLACE DECIMAL ±		Q.A.		SCALE: 1:24 WEIGHT: SHEET 14 OF 15	
		THREE PLACE DECIMAL ±		COMMENTS:			
		INTERPRET GEOMETRIC TOLERANCING PER:					
		MATERIAL					
		FINISH					
NEXT ASSY	USED ON	APPLICATION		DO NOT SCALE DRAWING			

4

3

2

1

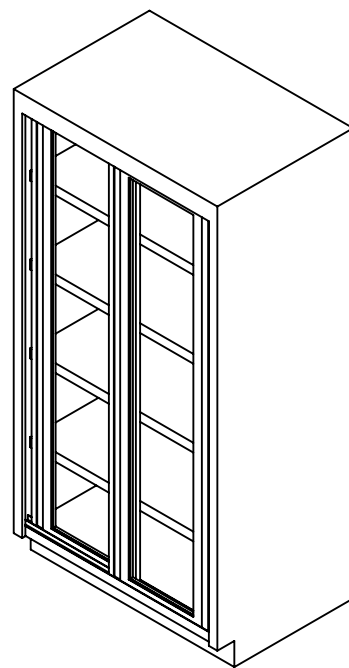
4

3

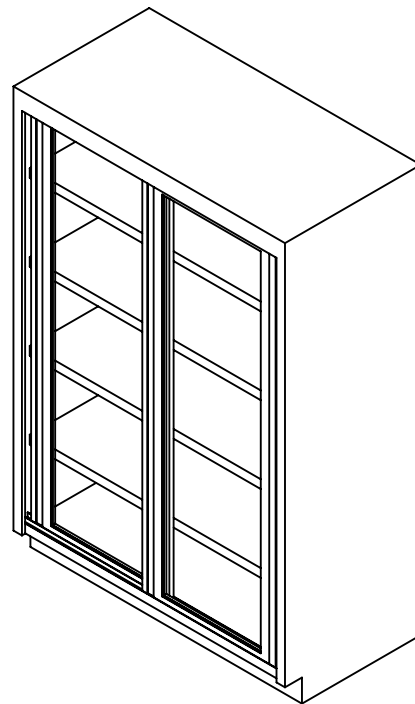
2

1

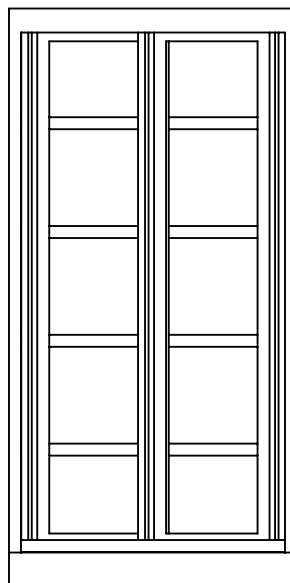
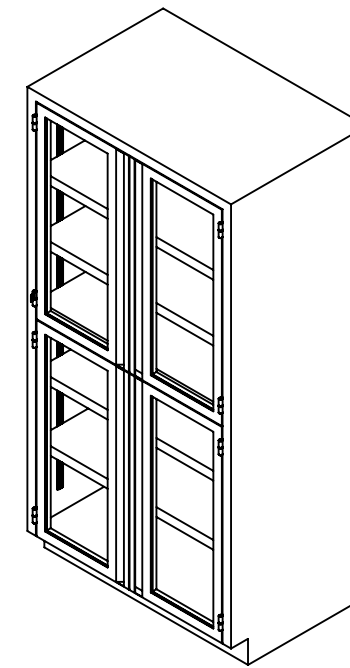
D-11S



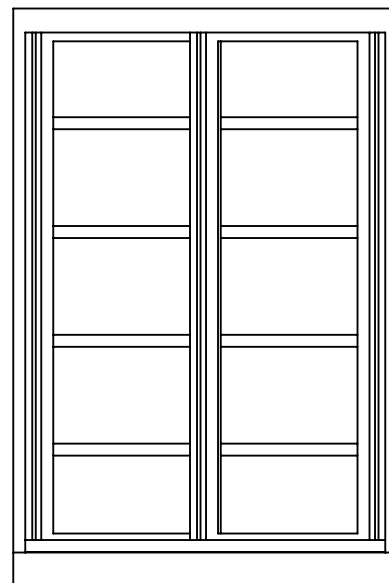
D-12S



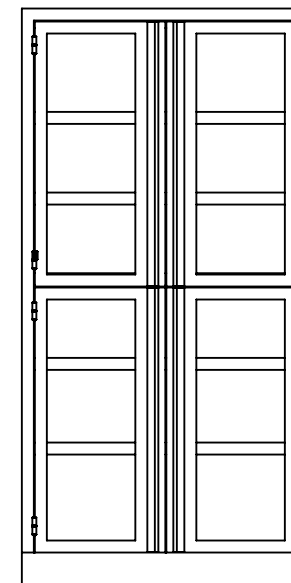
D-13



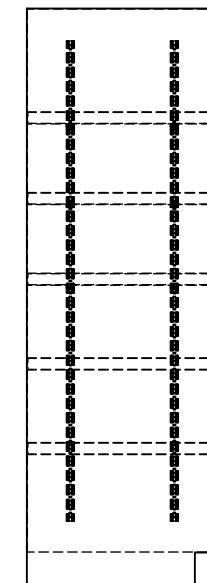
D-11S



D-12S



D-13



B

B

A

A



PROPRIETARY AND CONFIDENTIAL
THE INFORMATION CONTAINED IN THIS DRAWING IS THE SOLE PROPERTY OF BERLIN FOOD & LAB EQUIPMENT CO. ANY REPRODUCTION IN PART OR AS A WHOLE WITHOUT THE WRITTEN PERMISSION OF BERLIN FOOD & LAB EQUIPMENT CO. IS PROHIBITED.

		UNLESS OTHERWISE SPECIFIED:		NAME	DATE	BERLIN FOOD & LAB EQUIPMENT CO.	
		DIMENSIONS ARE IN INCHES		DRAWN		TITLE:	
		TOLERANCES:		CHECKED		Stainless Steel Full Height Cabinets	
		FRACTIONAL ±		ENG APPR.		SIZE DWG. NO. REV	
		ANGULAR: MACH ± BEND ±		MFG APPR.		B D-11S D-12S D-13	
		TWO PLACE DECIMAL ±		Q.A.		SCALE: 1:24 WEIGHT: SHEET 15 OF 15	
		THREE PLACE DECIMAL ±		COMMENTS:			
		INTERPRET GEOMETRIC TOLERANCING PER:					
		MATERIAL					
		FINISH					
NEXT ASSY	USED ON	APPLICATION		DO NOT SCALE DRAWING			

4

3

2

1