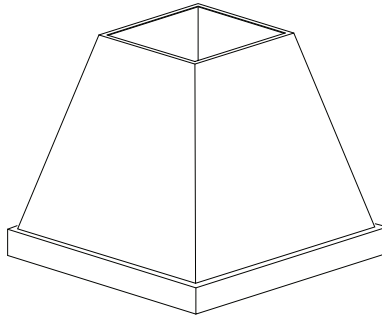
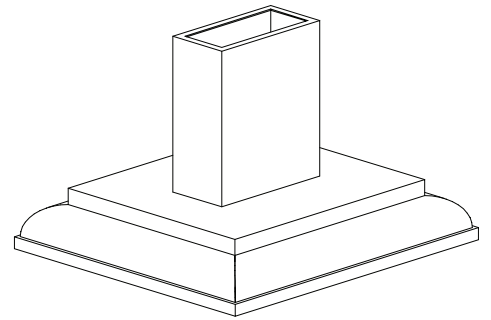


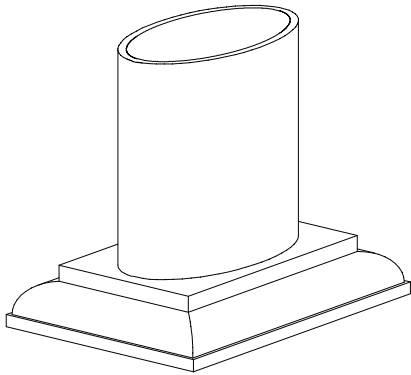
IS-43



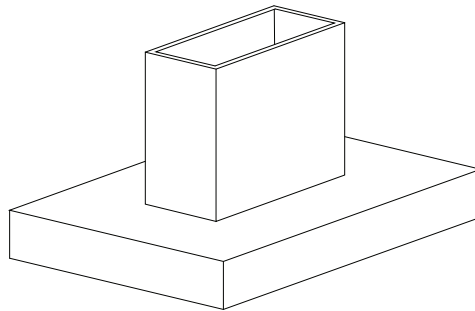
IS-44



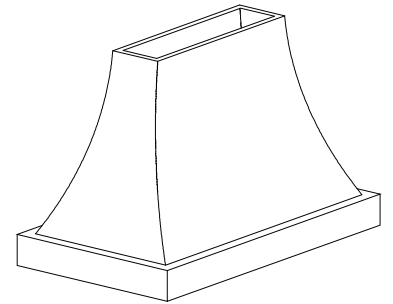
IS-45



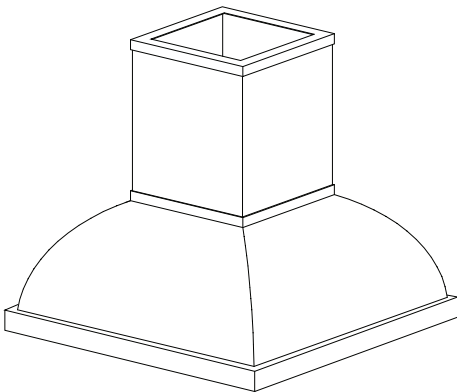
IS-46



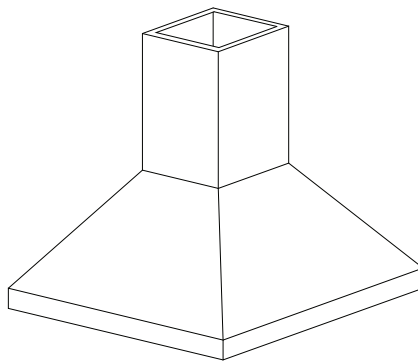
IS-47



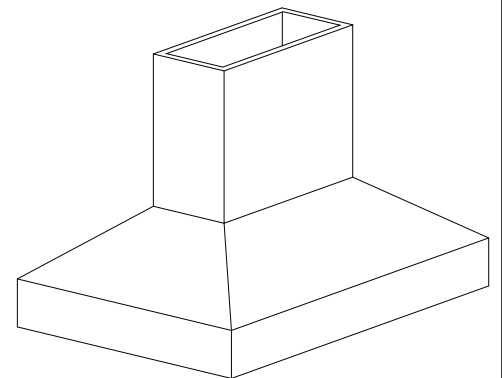
IS-48



IS-49



IS-50



IS-51



**43 SOUTH LINDEN AVE.
SOUTH SAN FRANCISCO, CA 94080
PH (650) 589-4231 FAX (650) 589-3981
WWW.BERLINUSA.COM**

© 2017 ALL RIGHTS RESERVED.
This document's contents material protected under International and Federal Copyright Laws and Treaties. Any unauthorized reprint or use of this material is prohibited. No part of this document may be reproduced or transmitted in any form or by any means, electronic or mechanical, including photocopying, recording, or by any information storage and retrieval system without express written permission from the Berlin Food & Lab Equipment Company. For permission contact (legal@berlinusa.com)

ISLAND HOODS

USE FOR ARCHITECT / ENGINEER / CONTRACTOR APPROVAL

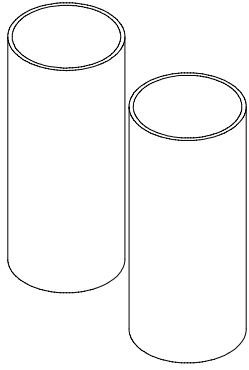
JOB NAME _____ DATE _____

MODEL No. _____ QTY _____

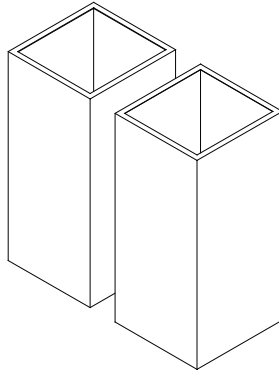
CUSTOMER _____

CONTRACTOR _____

ARCHITECT / ENGINEER _____



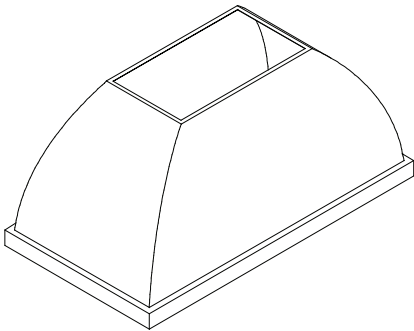
IS-52



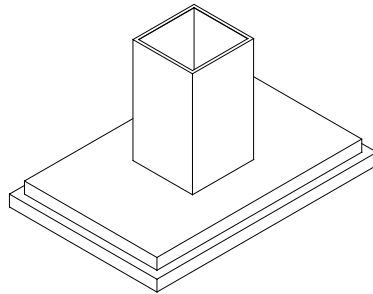
IS-53



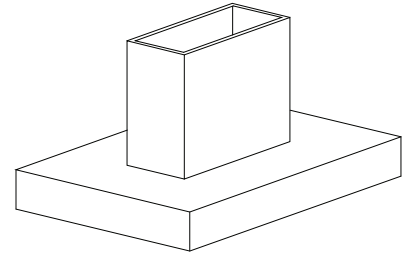
IS-54



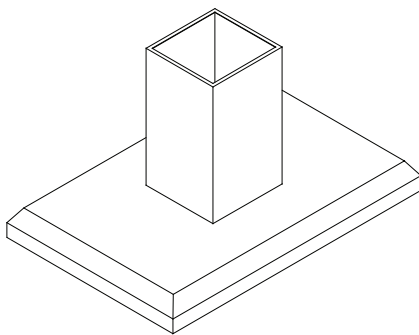
IS-55



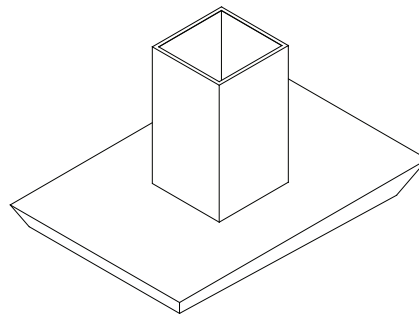
IS-56



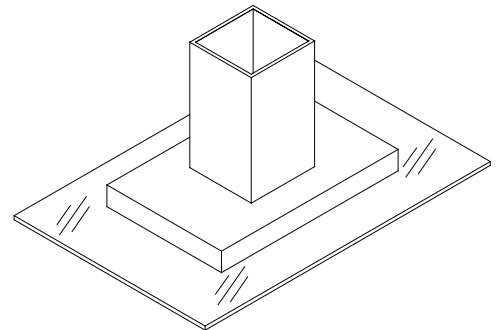
IS-57



IS-58



IS-59



IS-60



© 2017 ALL RIGHTS RESERVED.
This document's contents material protected under International and Federal Copyright Laws and Treaties. Any unauthorized reprint or use of this material is prohibited. No part of this document may be reproduced or transmitted in any form or by any means, electronic or mechanical, including photocopying, recording, or by any information storage and retrieval system without express written permission from the Berlin Food & Lab Equipment Company. For permission contact (legal@berlinusa.com)

ISLAND HOODS

USE FOR ARCHITECT / ENGINEER / CONTRACTOR APPROVAL

JOB NAME _____ DATE _____

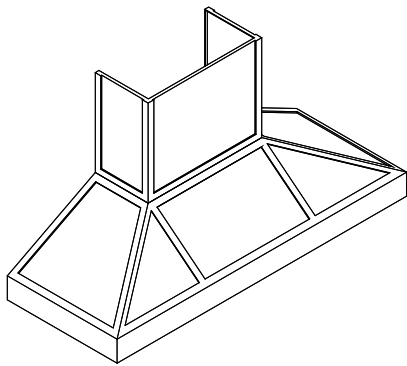
MODEL No. _____ QTY _____

CUSTOMER _____

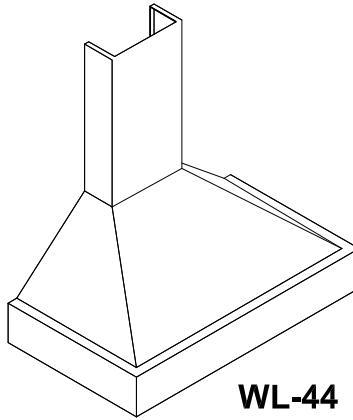
CONTRACTOR _____

ARCHITECT / ENGINEER _____

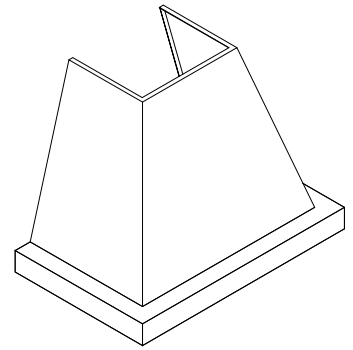
43 SOUTH LINDEN AVE.
SOUTH SAN FRANCISCO, CA 94080
PH (650) 589-4231 FAX (650) 589-3981
WWW.BERLINUSA.COM



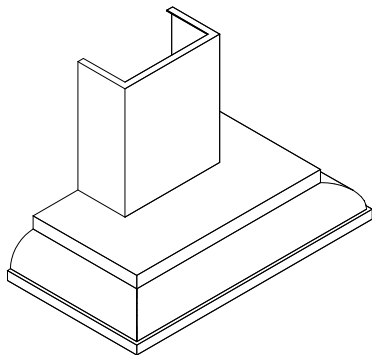
WL-43



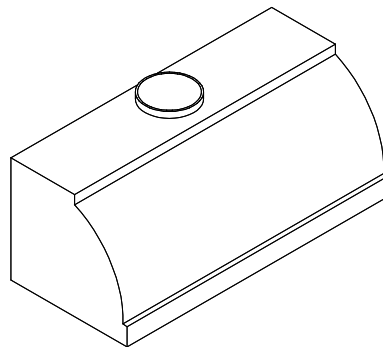
WL-44



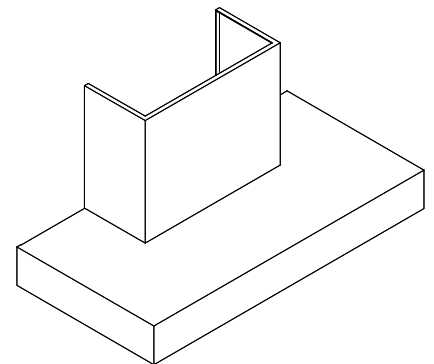
WL-45



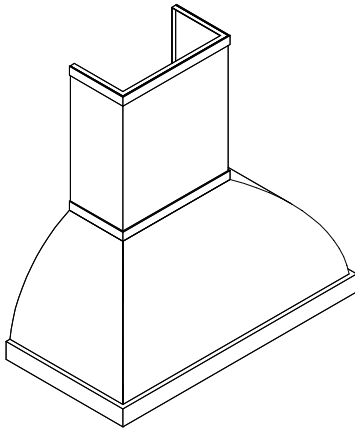
WL-46



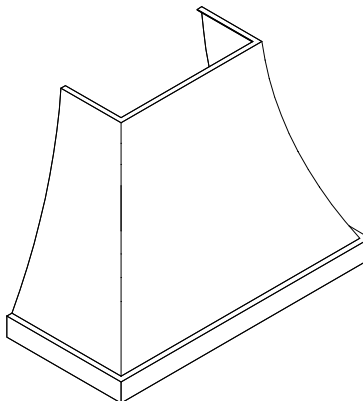
WL-47



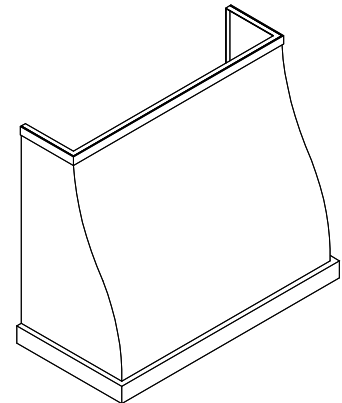
WL-48



WL-49



WL-50



WL-51



43 SOUTH LINDEN AVE.
SOUTH SAN FRANCISCO, CA 94080
PH (650) 589-4231 FAX (650) 589-3981
WWW.BERLINUSA.COM

© 2017 ALL RIGHTS RESERVED.
This document contains material protected under International and Federal Copyright Laws and Treaties. Any unauthorized reprint or use of this material is prohibited. No part of this document may be reproduced or transmitted in any form or by any means, electronic or mechanical, including photocopying, recording, or by any information storage and retrieval system without express written permission from the Berlin Food & Lab Equipment Company. For permission contact (legal@berlinusa.com)

WALL MOUNT HOODS

USE FOR ARCHITECT / ENGINEER / CONTRACTOR APPROVAL

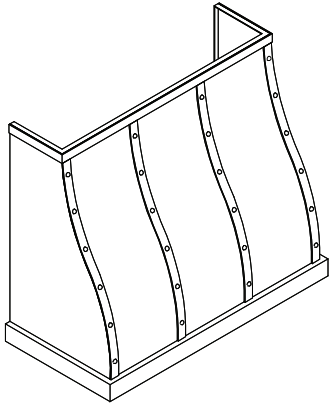
JOB NAME _____ DATE _____

MODEL No. _____ QTY _____

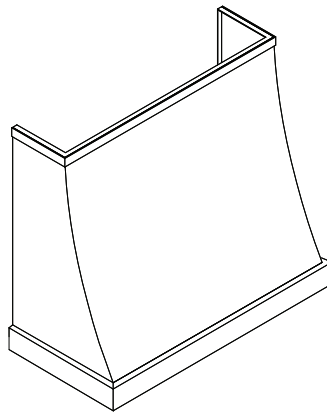
CUSTOMER _____

CONTRACTOR _____

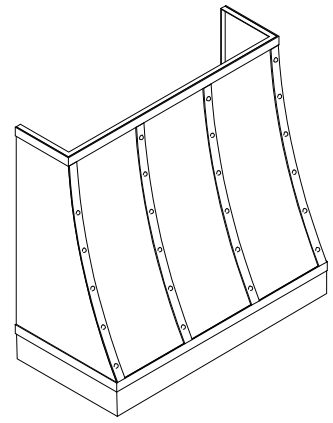
ARCHITECT / ENGINEER _____



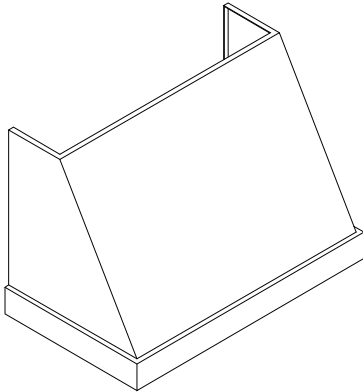
WL-52



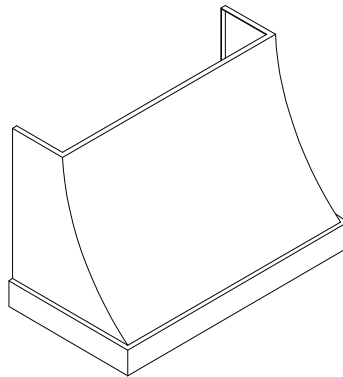
WL-53



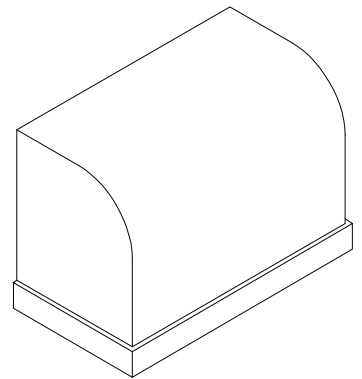
WL-54



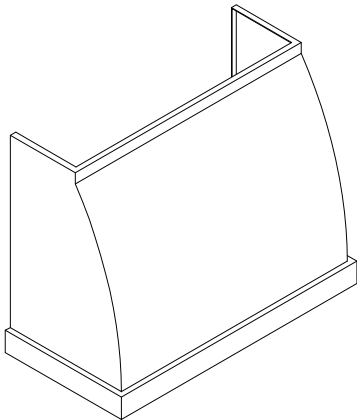
WL-55



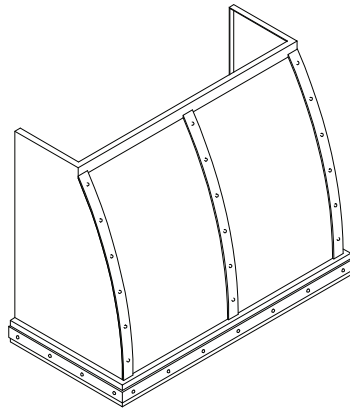
WL-56



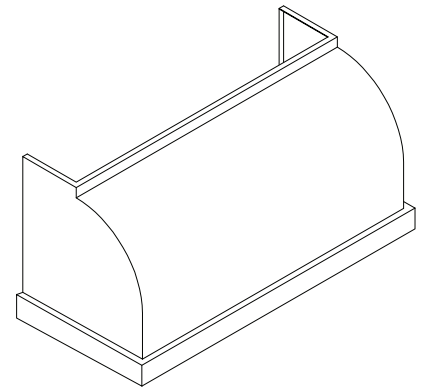
WL-57



WL-58



WL-59



WL-60



43 SOUTH LINDEN AVE.
SOUTH SAN FRANCISCO, CA 94080
PH (650) 589-4231 FAX (650) 589-3981
WWW.BERLINUSA.COM

© 2017 ALL RIGHTS RESERVED.
This document contains material protected under International and Federal Copyright Laws and Treaties. Any unauthorized reprint or use of this material is prohibited. No part of this document may be reproduced or transmitted in any form or by any means, electronic or mechanical, including photocopying, recording, or by any information storage and retrieval system without express written permission from the Berlin Food & Lab Equipment Company. For permission contact (legal@berlinusa.com)

WALL MOUNT HOODS

USE FOR ARCHITECT / ENGINEER / CONTRACTOR APPROVAL

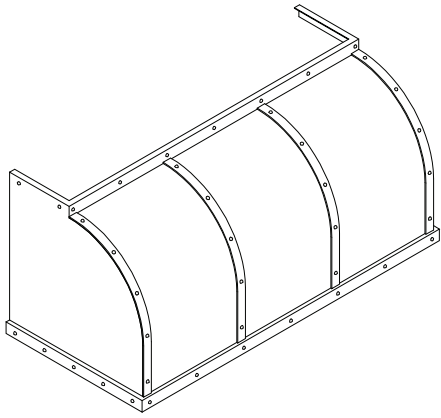
JOB NAME _____ DATE _____

MODEL No. _____ QTY _____

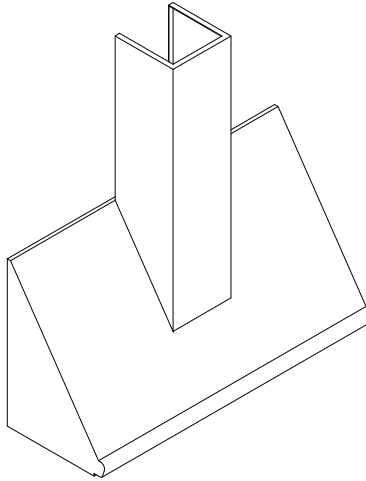
CUSTOMER _____

CONTRACTOR _____

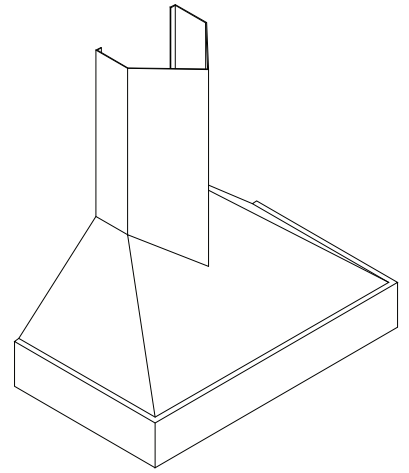
ARCHITECT / ENGINEER _____



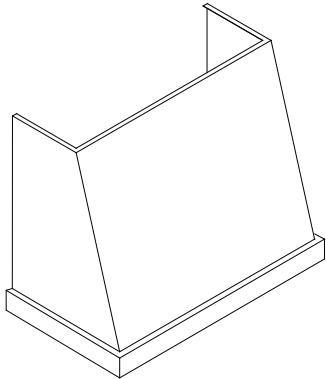
WL-61



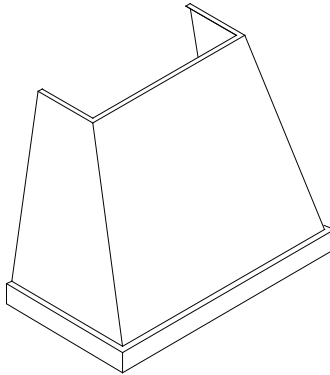
WL-62



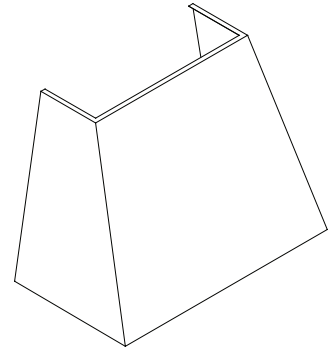
WL-63



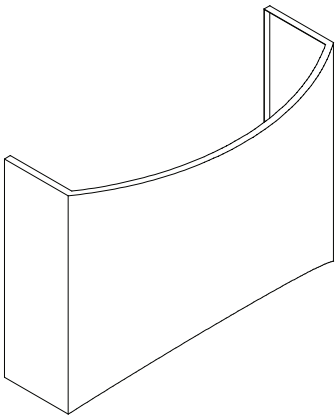
WL-64



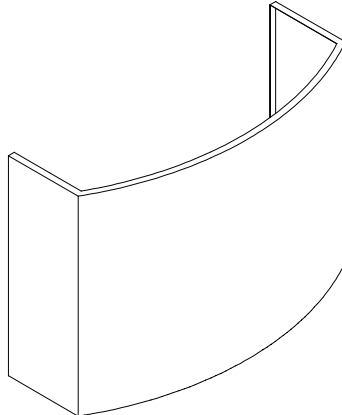
WL-65



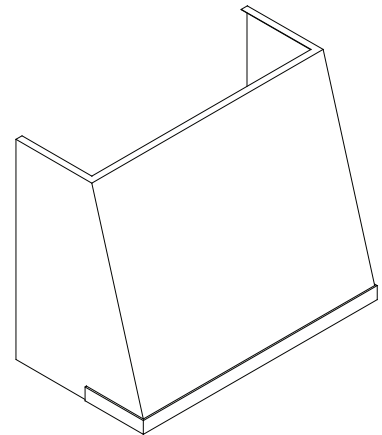
WL-66



WL-67



WL-68



WL-69



**43 SOUTH LINDEN AVE.
SOUTH SAN FRANCISCO, CA 94080
PH (650) 589-4231 FAX (650) 589-3981
WWW.BERLINUSA.COM**

© 2017 ALL RIGHTS RESERVED.
This document contains material protected under International and Federal Copyright Laws and Treaties. Any unauthorized reprint or use of this material is prohibited. No part of this document may be reproduced or transmitted in any form or by any means, electronic or mechanical, including photocopying, recording, or by any information storage and retrieval system without express written permission from the Berlin Food & Lab Equipment Company. For permission contact (legal@berlinusa.com)

WALL MOUNT HOODS

USE FOR ARCHITECT / ENGINEER / CONTRACTOR APPROVAL

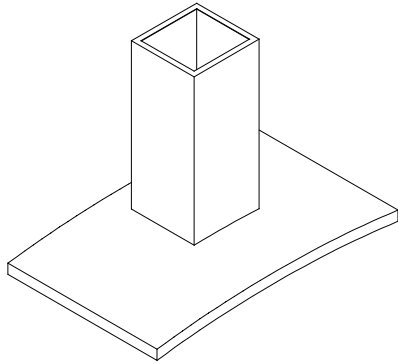
JOB NAME _____ DATE _____

MODEL No. _____ QTY _____

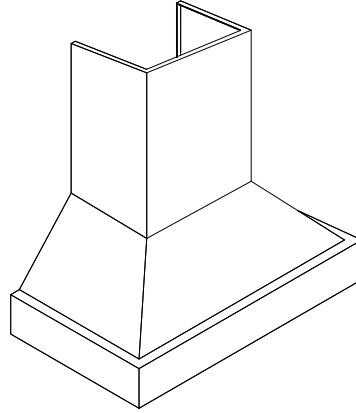
CUSTOMER _____

CONTRACTOR _____

ARCHITECT / ENGINEER _____



WL-70



WL-71



**43 SOUTH LINDEN AVE.
SOUTH SAN FRANCISCO, CA 94080
PH (650) 589-4231 FAX (650) 589-3981
WWW.BERLINUSA.COM**

© 2017 ALL RIGHTS RESERVED.
This document's contents material protected under International and Federal Copyright Laws and Treaties. Any unauthorized reprint or use of this material is prohibited. No part of this document may be reproduced or transmitted in any form or by any means, electronic or mechanical, including photocopying, recording, or by any information storage and retrieval system without express written permission from the Berlin Food & Lab Equipment Company. For permission contact (legal@berlinusa.com)

WALL MOUNT HOODS

USE FOR ARCHITECT / ENGINEER / CONTRACTOR APPROVAL

JOB NAME _____ DATE _____

MODEL No. _____ QTY _____

CUSTOMER _____

CONTRACTOR _____

ARCHITECT / ENGINEER _____